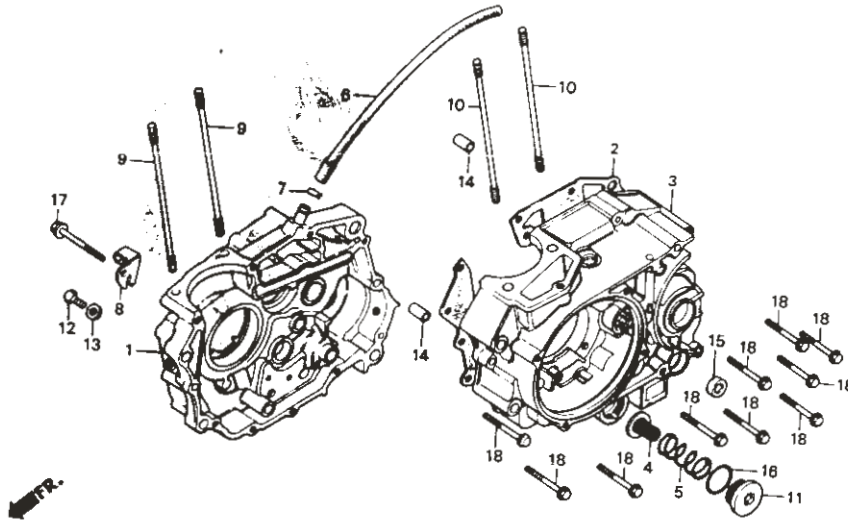


Block No.

**E-9**  
**Crankcase**

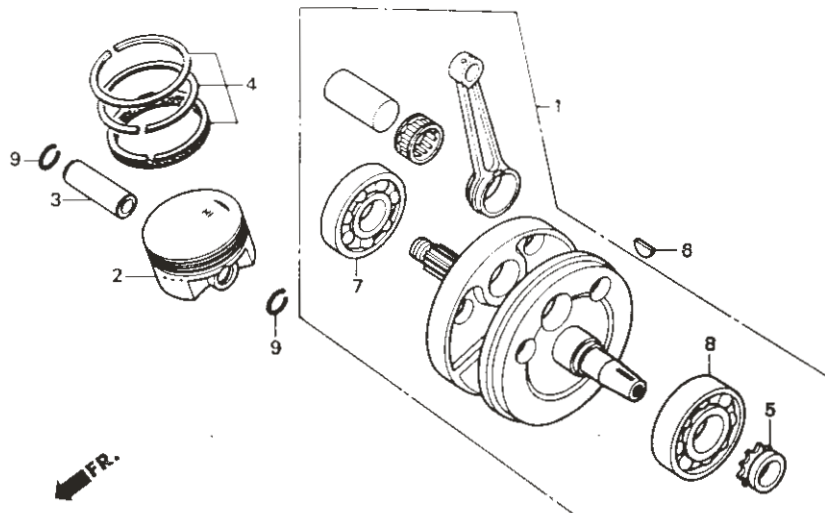


Ref. No.	Part No.	Description	Reqd. No.	Remarks	Ref. No.	Part No.	Description	Reqd. No.	Remarks
• 1	11100-NN0-000	CRANKCASE COMP., R. ....	1						
• 2	11191-NN0-000	GASKET, crankcase ....	1						
• 3	11200-NN0-700	CRANKCASE COMP., L. ....	1						
• 4	15421-107-000	SCREEN, oil filter ....	1						
• 5	15426-107-000	SPRING, oil filter screen ....	1						
• 6	15761-437-000	TUBE, breather ....	1						
• 7	15772-292-010	CLIP, breather tube ....	1						
• 8	22838-ND9-760	HOLDER COMP., clutch wire ....	1						
• 9	90031-427-010	BOLT, stud A, cylinder ....	2						
• 10	90032-427-010	BOLT, stud B, cylinder ....	2						
• 11	90087-HB5-000	CAP, 30 mm ....	1						
• 12	90131-ZE1-000	BOLT, drain plug, 10 mm ....	1						
• 13	90545-300-000	WASHER, oil bolt ....	1						
• 14	90703-HC4-000	PIN, dowel, 10 x 14 ....	2						
• 15	91206-286-013	OIL SEAL, 14 x 28 x 7 ....	1						
• 16	91302-567-003	O-RING, 27.4 x 2.4 ....	1						
• 17	92101-06060-0A	BOLT, hex., 6 x 60 ....	1						
• 18	96001-06050-00	BOLT, flange, SH, 6 x 50 ....	10						

Block No.

# E-10

## Crankshaft • Piston

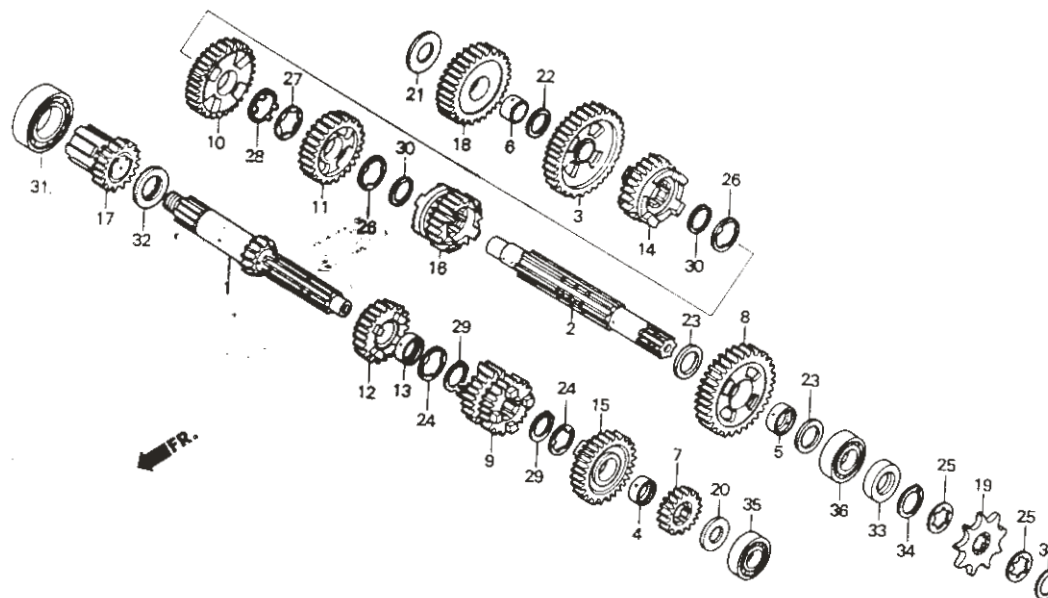


Ref. No.	Part No.	Description	Reqd. No.	Remarks	Ref. No.	Part No.	Description	Reqd. No.	Remarks
• 1	13000-ND9-830	CRANKSHAFT COMP. ....	1						
2	13101-KR9-003	PISTON .....	1						
3	13111-KR9-000	PISTON, pin .....	1						
4	131A1-KR9-003	RING SET., piston .....	1						
5	14311-KJ2-300	SPROCKET, timing .....	1						
6	90701-HB6-000	KEY, wood ruff, 25 x 14 x 4 .....	1						
7	91001-440-003	BEARING, ball radial, V2 6328J .....	1						
8	91001-446-771	BEARING, ball, radial, V2 28 x 72 x 18.....	1						
9	94601-15000	CLIP, piston pin, 15 mm .....	2						

Block No.

# E-11

## Transmission

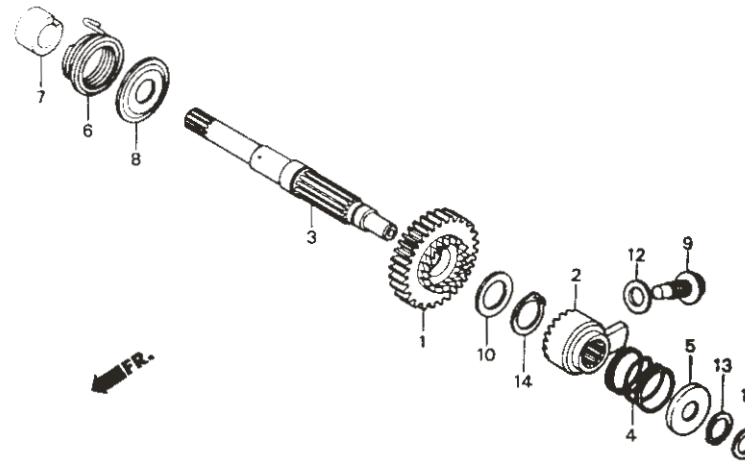


Ref. No.	Part No.	Description	Reqd. No.	Remarks	Ref. No.	Part No.	Description	Reqd. No.	Remarks
• 1	23211-NN0-000	MAINSHAFT, transmission (14T) ....	1		21	90451-365-000	WASHER, thrust, 15 mm .....	1	
2	23221-KR9-000	COUNTERSHAFT, transmission .....	1		22	90452-437-000	WASHER, thrust, 16.5 .....	1	
• 3	23420-NN0-000	GEAR, COMP., C-1 (34T) .....	1		23	90454-107-000	WASHER, thrust, 20 mm, B .....	2	
4	23431-KA2-000	BUSH, 20 mm .....	1		24	90456-KA2-000	WASHER A, spline, 20 mm .....	2	
5	23431-437-000	BUSH, 20 mm .....	1		25	90461-444-000	WASHER, spline, 20 .....	2	
6	23431-439-000	COLLAR, idle starter gear .....	1		26	90463-437-000	WASHER, spline, 22 mm .....	2	
7	23441-446-770	GEAR, M-2 (17T) .....	1		27	90464-360-000	WASHER, spline, C-3 .....	1	
8	23451-KR9-000	GEAR, C-2 (33T) .....	1		28	90465-360-000	WASHER, lock .....	1	
9	23461-KR9-000	GEAR, M-3, M-4 (20T/22T) .....	1		29	90601-437-000	CIRCLIP, EX. 22 mm .....	2	
10	23471-KR9-000	GEAR, C-3 (30T) .....	1		30	90605-200-000	SET-RING, 20 mm .....	2	
11	23491-KR9-000	GEAR, C-4 (27T) .....	1		31	91005-965-681	BEARING, ball radial, 6006 .....	1	
• 12	23501-ND9-000	GEAR, M-5 (27T) .....	1		32	91032-PC9-003	NEEDLE, thrust, 20 x 35 x 2.8 .....	1	
13	23502-KA2-000	BUSH, 20 mm .....	1		33	91201-896-701	OIL-SEAL, 20 x 34 x 6 .....	1	
• 14	23511-ND9-000	GEAR, C-5 (23T) .....	1		34	94510-20000	CIRCLIP, EX. 20 .....	2	
• 15	23512-ND9-000	GEAR, M-top (30T) .....	1		• 35	96140-62023-10	BEARING, ball radial, 6202U .....	1	
• 16	23513-ND9-000	GEAR, C-top (20T) .....	1		36	96140-62040-00	BEARING, ball radial, 6204 .....	1	
• 17	23520-ND9-830	GEAR COMP., starter .....	1						
18	23531-437-310	GEAR ONLY, idle starter .....	1						
19	23801-KR9-000	SPROCKET, drive, 9T .....	1						
20	90451-107-000	WASHER, thrust, 15 mm .....	1						

Block No.

# E-12

## Kick starter spindle

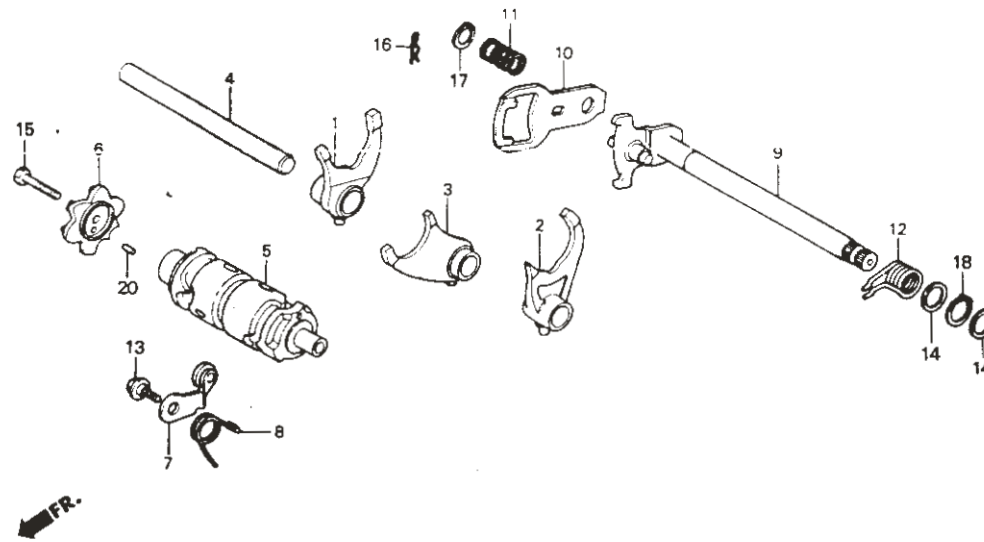


Ref. No.	Part No.	Description	Reqd. No.	Remarks	Ref. No.	Part No.	Description	Reqd. No.	Remarks
• 1	28211-ND9-830	PINION, kick starter .....	1						
• 2	28221-NN0-700	RATCHET, kick starter .....	1						
• 3	28251-NN0-700	SPINDLE, kick starter .....	1						
4	28253-KA2-000	SPRING, kick starter ratchet .....	1						
5	28254-437-000	SEAT, ratchet spring .....	1						
6	28261-437-000	SPRING, kick starter .....	1						
7	28262-437-000	COLLAR, kick spindle .....	1						
8	28263-437-000	RETAINER, starter spring .....	1						
9	90004-KJ2-000	BOLT, kick ratchet .....	1						
10	90453-107-000	WASHER, A. thrust, 20 mm .....	1						
11	90459-107-000	WASHER, thrust, 12 mm .....	1						
12	94109-12000	WASHER, plug drain, 12 mm .....	1						
13	94510-16000	CIRCLIP, EX. 16 .....	1						
14	94510-20000	CIRCLIP, EX. 20 .....	1						

Block No.

# E-13

## Shift drum • Shift fork



Ref. No.	Part No.	Description	Reqd. No.	Remarks	Ref. No.	Part No.	Description	Reqd. No.	Remarks
1	24211-KR9-000	FORK, right gear shift .....	1						
2	24221-446-650	FORK, left gear shift .....	1						
3	24231-KR9-000	FORK, center gear shift .....	1						
4	24241-399-000	SHAFT, gear shift fork guide .....	1						
5	24301-446-650	DRUM, gear shift .....	1						
6	24411-446-650	CAM, gear shift .....	1						
7	24430-437-000	STOPPER COMP., gear shift drum ..	1						
8	24435-437-000	SPRING, shift drum stopper .....	1						
9	24610-NA0-010	SPINDLE, COMP., gear shift .....	1						
10	24621-446-650	PLATE, gear shift .....	1						
11	24631-107-000	SPRING, gear shift plate .....	1						
12	24651-437-000	SPRING, gear, shift, return .....	1						
13	90023-041-000	PIVOT, shift drum stopper arm .....	1						
14	90451-001-000	WASHER, thrust, 14 mm .....	2						
15	92101-06025-0A	BOLT, hex. 6 x 25 .....	1						
16	94251-10000	PIN, lock 10 mm .....	1						
17	94510-12000	CIRCLIP, EX. 12 .....	1						
18	94510-14000	CIRCLIP, EX. 14 .....	1						
19	96220-40100	ROLLER, 4 x 10 .....	1						

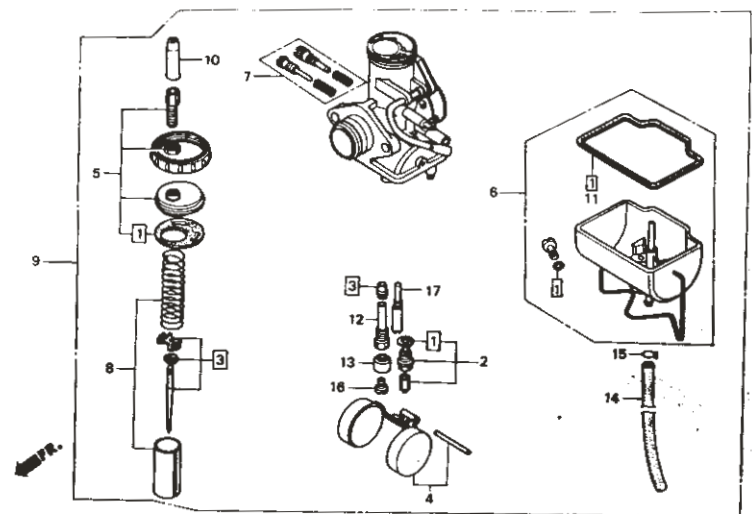
Block No.

# E-14

## Carburetor

**MEMO**

- Float level: 24 mm
- Air screw open: 1 3/4

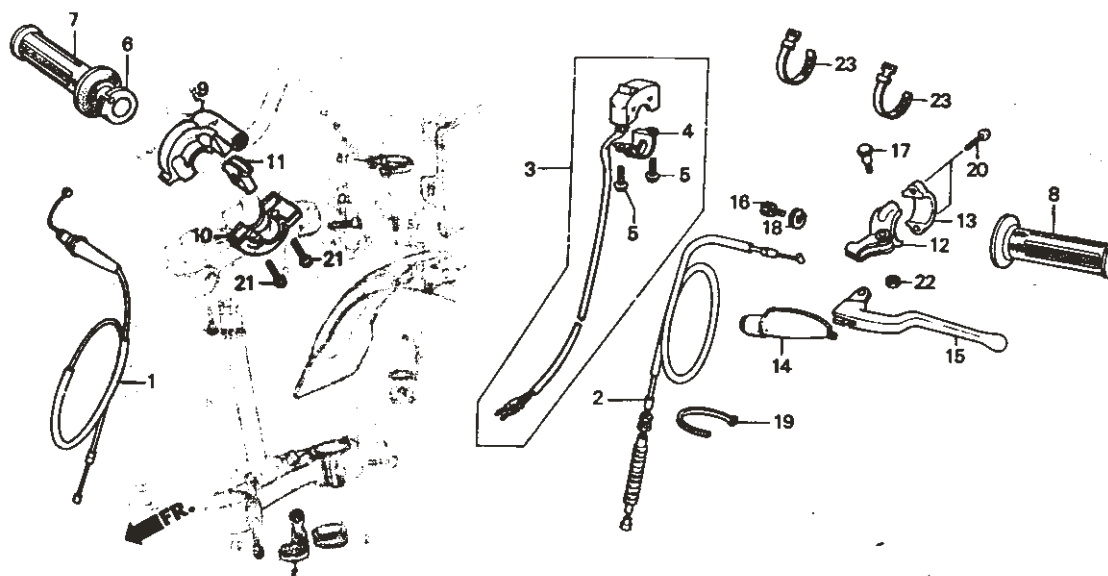


Ref. No.	Part No.	Description	Reqd. No.	Remarks	Ref. No.	Part No.	Description	Reqd. No.	Remarks
1	16010-107-710	GASKET-SET .....	1			99114-246-1120	JET, main #112 .....	(1)	
2	16011-302-004	VALVE-SET, float .....	1			99114-246-1150	JET, main #115 .....	(1)	
3	16012-NN0-000	NEEDLE-SET, jet .....	1		17	99124-076-0350	JET, slow #35 .....	(1)	
4	16013-286-014	FLOAT-SET .....	1			99124-076-0380	JET, slow #38 .....	1	
5	16014-ND9-000	TOP-SET .....	1						
6	16015-ND9-000	CHAMBER-SET, float .....	1						
7	16016-035-004	SCREW-SET, A. ....	1						
8	16022-ND9-000	VALVE-SET, throttle .....	1						
9	16100-NN0-013	CARBURETOR ASSY. ....	1						
10	16118-166-004	CAP, sealing cable .....	1						
11	16129-268-004	WASHER, float chamber .....	1						
12	16139-107-710	HOLDER, needle jet .....	1						
13	16168-ND9-000	HOLDER, jet .....	1						
14	95001-35280-40	TUBE, fuel, 3.5 x 280 .....	1						
15	95002-02070	CLIP, B7, tube .....	1						
16	99114-246-1000	JET, main #100 .....	(1)						
	99114-246-1020	JET, main #102 .....	(1)						
	99114-246-1050	JET, main #105 .....	(1)						
	99114-246-1080	JET, main #108 .....	1						
	99114-246-1100	JET, main #110 .....	(1)						

Block No.

**F-1**

**Handle lever • Cable**



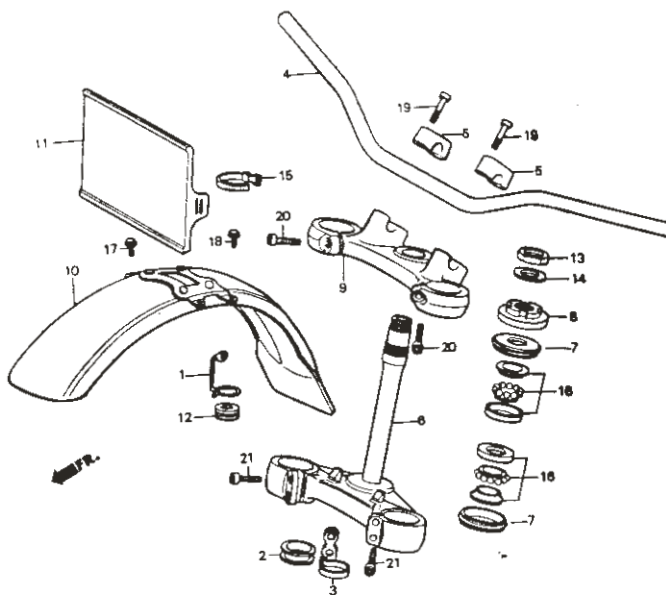
Ref. No.	Part No.	Description	Reqd. No.	Remarks	Ref. No.	Part No.	Description	Reqd. No.	Remarks
• 1	17910-ND9-000	CABLE COMP., throttle .....	001	1000-10000 71	21	93500-05020-0G	SCREW, pan, 5 x 20 .....	2	
• 2	22870-ND9-830	CABLE COMP., clutch .....	001	1000-10000 81	22	94050-06000	NUT, flange, 6 mm .....	1	
3	35130-KR8-000	SWITCH ASSY., kill .....	01	1000-00000 91	23	95014-62100	BAND, Bl. wire .....	2	EUROPEAN SPEC.
4	35132-KR5-003	PLATE, set .....	01	1000-00000 02					
5	35133-KJ2-003	SCREW, pan, 4 x 12 .....	2						
6	53141-376-000	PIPE, throttle grip .....	01	2000-00000 15					
7	53165-KB2-000	GRIP, R. handle .....	1						
8	53166-KB2-000	GRIP, L. handle .....	1						
9	53167-KA2-000	HOUSING, upper throttle .....	1						
10	53168-KA2-000	HOUSING, lower throttle .....	1						
11	53169-KA2-000	SLIDER, throttle .....	1						
12	53172-429-770	BRACKET, L. handle lever .....	1						
13	53173-376-000	HOLDER, lever bracket .....	1						
14	53177-430-000	COVER, L. handle lever .....	1						
15	53178-KF0-000	LEVER, L. steering handle .....	1						
16	53192-268-000	BOLT, wire adjust .....	1						
17	90113-429-770	BOLT, handle lever pivot .....	1						
18	90321-KF0-000	NUT, fixing .....	1						
• 19	90651-NC8-000	TY-LAP, 3.6 x 281 .....	1	EUROPEAN SPEC.(2)					
20	93500-05016-0G	SCREW, pan, 5 x 16 .....	2						



Block No.

## F-2

Handle pipe • Top bridge •  
Steering stem •  
Front fender



Ref. No.	Part No.	Description	Reqd. No.	Remarks	Ref. No.	Part No.	Description	Reqd. No.	Remarks
1	45156-KE8-000	CLIP, front brake hose .....	1		17	96001-06012-00	BOLT, flange, SH, 6 x 12 .....	3	EUROPEAN SPEC.(2)
2	45466-KA4-000	INNER, cable guide .....	1	EUROPEAN SPEC.	18	96001-06016-00	BOLT, flange, SH, 6 x 16 .....	1	EUROPEAN SPEC.(2)
	45466-329-000	INNER, cable guide .....	1		19	96600-08028-10	BOLT, socket, 8 x 28 .....	4	
3	45468-KB9-700	GUIDE, brake cable botton .....	1		20	96600-08032-10	BOLT, socket, 8 x 32 .....	2	
	45468-KE1-760	GUIDE, brake hose botton .....	1	EUROPEAN SPEC.					
• 4	53100-ND9-830	PIPE, steering handle .....	1		21	96600-08035-10	BOLT, socket, 8 x 35 .....	4	
• 5	53131-ND9-760	HOLDER, (handle pipe) upper .....	2						
• 6	53200-NN0-000	STEM COMP., steering .....	1						
7	53214-430-003	DUST-SEAL, steering head .....	2						
8	53220-MB2-000	THREAD COMP., steering head top.....	1						
• 9	53230-NN0-000	BRIDGE, fork top .....	1						
10	61100-KT2-000ZB	FENDER COMP., front (NH-138 shasta white).....	1						
• 11	61130-ND9-000	PLATE, front number .....	1	JAPANESE SPEC.					
12	80152-958-680	RUBBER, rear fender .....	1						
13	90304-KA3-710	NUT, steering stem .....	1						
14	90503-425-000	WASHER, steering stem .....	1						
15	90652-KT1-771	BAND, wire .....	2	JAPANESE SPEC.					
• 16	91053-ND9-000	BEARING, head pipe, upper .....	2						



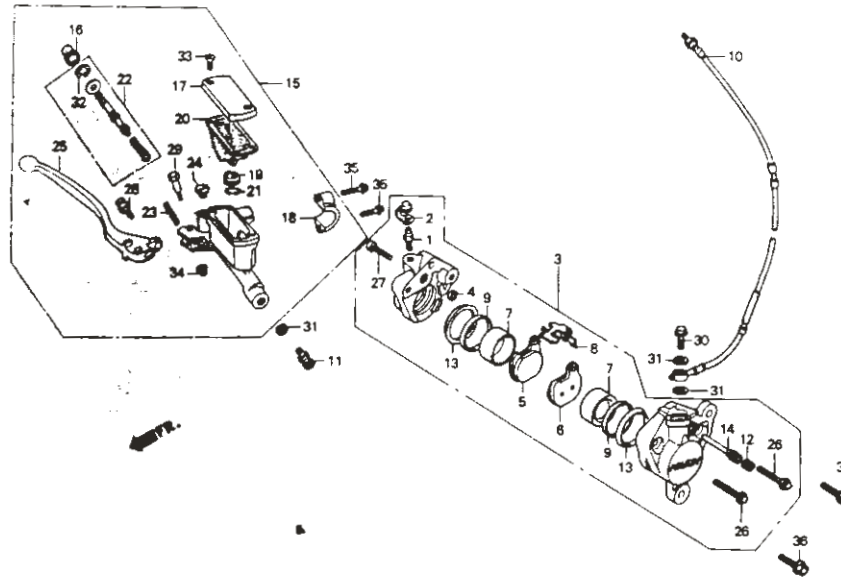
Block No.

# F-3

## Front caliper • Master cylinder

MEMO

- Brake fluid: DOT 3 or DOT 4



Ref. No.	Part No.	Description	Reqd. No.	Remarks	Ref. No.	Part No.	Description	Reqd. No.	Remarks
1	43352-568-003	SCREW, bleeder .....	1		20	45520-KA3-731	DIAPHRAGM .....	1	
2	43353-461-771	CAP, bleeder .....	1		21	45523-KA3-731	RING .....	1	
3	45100-KR8-752	CALIPER ASSY., L. front .....	1		22	45530-KN5-305	CYLINDER SET., master .....	1	
4	45103-MR7-006	SEAL, joint .....	1		23	53174-KN5-006	SPRING, brake lever .....	1	
5	45105-KR8-751	PAD COMP. A .....	1		24	53174-463-770	PLUG, handle lever bracket .....	1	
6	45106-KR8-751	PAD COMP. B .....	1		25	53175-KR8-750	LEVER, R. steering handle .....	1	
7	45107-KR8-751	PISTON COMP. ....	2		26	90102-KR8-751	BOLT, torx, 8 x 35 .....	2	
8	45108-KR8-752	SPRING, pad .....	1		• 27	90103-KR8-751	BOLT, socket, 6 x 20 .....	1	
9	45109-961-006	DUST-SEAL .....	2		28	90111-KS6-000	SET A, adjuster bolt .....	1	
• 10	45125-F8F-741	HOSE, front brake (ℓ = 870) .....	1	JAPANESE SPEC.	29	90114-166-006	BOLT, handle lever .....	1	
•	45125-F8F-751	HOSE, front brake (ℓ = 930) .....	1	EUROPEAN SPEC.	30	90145-KM3-750	OIL BOLT, 10 x 22 .....	1	
11	45127-MG3-013	JOINT, brake hose .....	1		31	90545-300-000	WASHER, oil bolt .....	3	
12	45203-MG3-006	PLUG, pin .....	1		32	90651-MA5-671	CIR-CLIP .....	1	
13	45209-961-006	SEAL, piston .....	2		33	93600-04012-1G	SCREW, flat, 4 x 12 .....	2	
14	45215-HA5-671	PIN, hanger .....	1		34	94050-06000	NUT, flange, 6 mm .....	1	
• 15	45500-NN0-006	CYLINDER ASSY., front master .....	1		35	96001-06022-07	BOLT, flange, SH, 6 x 22 .....	2	
16	45504-KN5-006	BOOT COMP. ....	1		36	96400-08022-00	BOLT, flange, DR, 8 x 22 .....	2	
17	45513-KA3-732	CAP, master cylinder .....	1						
18	45517-166-006	HOLDER, master cylinder .....	1						
19	45518-KA3-731	SEPARATOR COMP. ....	1						

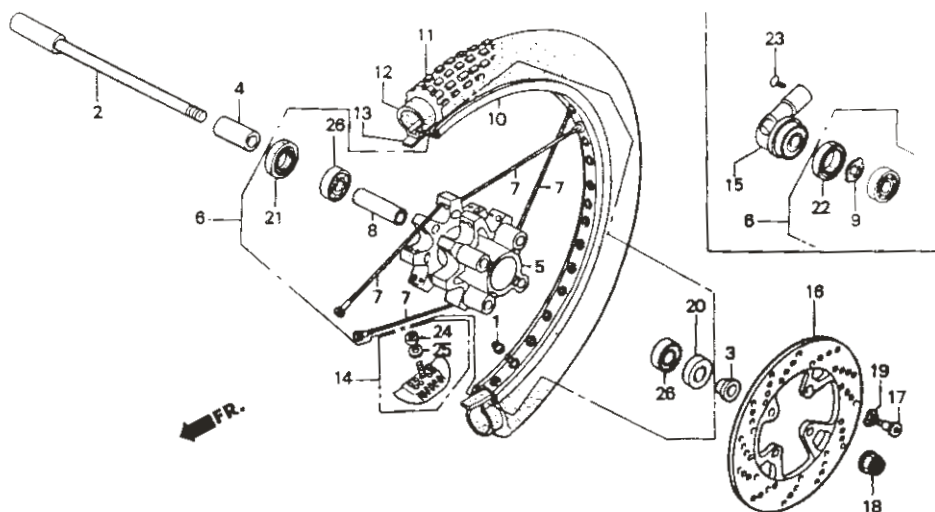
Block No.

**F-4**

**Front wheel**

MEMO

- Air pressure: 0.35~0.4 kg/cm<sup>2</sup>



Ref. No.	Part No.	Description	Reqd. No.	Remarks	Ref. No.	Part No.	Description	Reqd. No.	Remarks
1	42714-KA3-710	CAP, valve .....	1		20	90755-229-003	OIL SEAL, 21 x 37 x 7 .....	1	
• 2	44301-NN0-000	AXLE, front wheel .....	1			90755-229-005	90755-229-003		
3	44311-MG3-000	COLLAR, front wheel .....	1		21	91254-KA3-831	DUST SEAL, 22 x 50 x 5 .....	1	JAPANESE SPEC.
4	44312-KK1-700	COLLAR, front wheel R. ....	1	JAPANESE SPEC.	22	91258-410-013	DUST SEAL, 40 x 50 x 5 .....	1	EUROPEAN SPEC.
• 5	44601-F8F-740	HUB, front wheel .....	1			91258-410-006	DUST SEAL, 40 x 50 x 5 .....	1	EUROPEAN SPEC.
• 6	44610-F8F-740	RIM ASSY., front .....	1	JAPANESE SPEC.	23	93700-05018-0A	SCREW, oval, 5 x 18 .....	1	EUROPEAN SPEC.
• 7	44614-NN0-305	SPOKE SET, front .....	32		24	94001-08000-0S	NUT, hex., 8 mm .....	1	
8	44620-MG3-000	COLLAR, front wheel distance .....	1		25	94111-08000	WASHER, spring, 8 mm .....	1	
9	44680-MA0-000	RETAINER, gear box .....	1	EUROPEAN SPEC.	26	96140-62020-10	BEARING, ball radial, 6202U .....	2	
• 10	44701-NN0-000	RIM, front wheel (1.40 x 21) .....	1						
11	44711-KR9-008	TIRE, front .....	1						
12	44712-KR9-008	TUBE .....	1						
13	44713-KR9-008	BAND, rim .....	1						
14	44715-KR9-000	STOPPER, 1.40 bead .....	1						
15	44800-KF0-023	GEAR BOX ASSY., speedometer .....	1	EUROPEAN SPEC.					
• 16	45351-F8F-740	DISK, front brake .....	1						
• 17	90105-F8F-740	BOLT, disk, 6 x 17 .....	4						
18	90201-GC4-000	NUT, flange, 14 mm .....	1						
19	90504-F8F-741	WASHER, wave, 10 mm .....	4						