

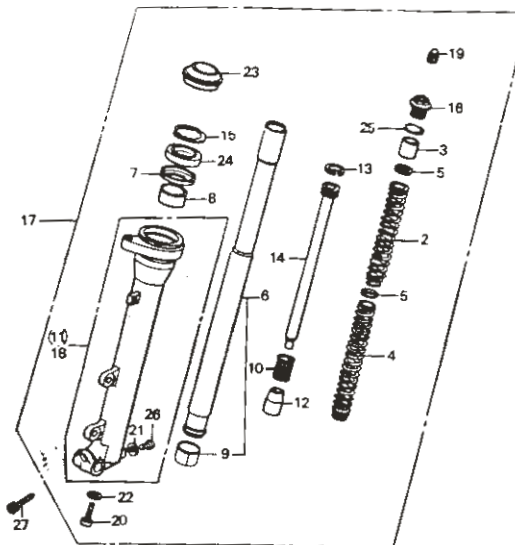
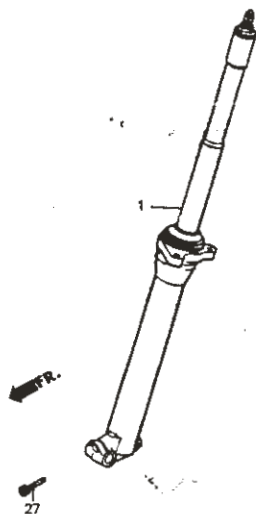
Block No.

F-5

Front fork

MEMO

- Front fork oil
Specified oil: ULTRA CUSHION OIL NO. 10
(SAE-10W)
- Capacity: 268 ± 2.5 cc
Oil level: 140 mm
- Front fork air pressure: 0 kg/cm²
- Front fork projection: 5 mm

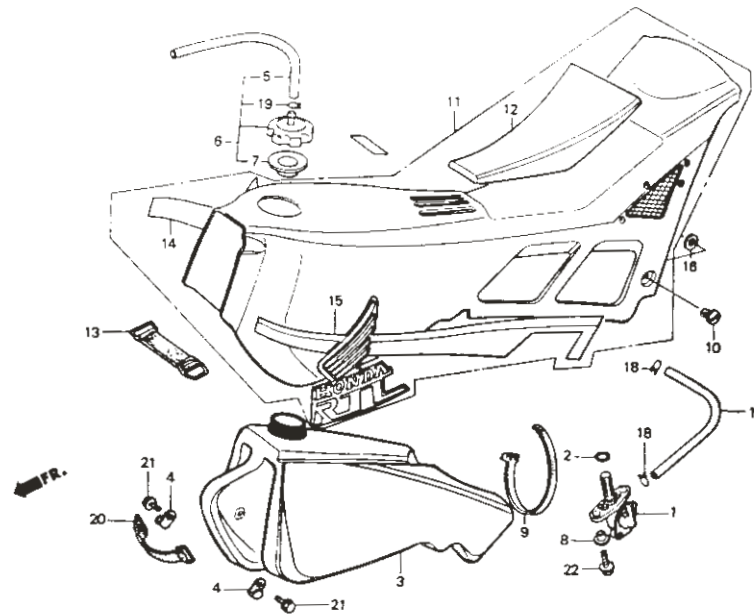


Ref. No.	Part No.	Description	Reqd. No.	Remarks	Ref. No.	Part No.	Description	Reqd. No.	Remarks
• 1	51400-NN0-701	FORK ASSY., R. front	1		21	90544-GF4-003	WASHER, special	2	
• 2	51401-NN0-701	SPRING, front cushion	2		22	90544-283-000	WASHER, special	2	
3	51402-KJ2-003	COLLAR, spring	1		23	91254-434-003	DUST-SEAL, 35 mm	2	
• 4	51402-NN0-701	SPRING, B. front cushion	2		24	91255-MA6-013	OIL-SEAL, 35 x 48 x 11	2	
5	51403-430-000	PLATE, spring joint	4		25	91356-428-003	O-RING, 25.7 x 28.8	2	
• 6	51410-NN0-701	PIPE COMP., front fork	2		26	93500-04006-1A	SCREW, pan, 4 x 6	2	
7	51412-422-003	RING, back up	2		27	96600-08025-10	BOLT, socket, 8 x 25	2	
8	51414-469-003	BUSH, guide	2						
9	51415-KL4-951	BUSH, slider	2						
10	51416-461-003	SPRING, front rebound	2						
• 11	51420-NN0-003	CASE COMP., R. bottom	1						
12	51432-KE1-003	PIECE, oil lock	2						
13	51437-461-003	RING, piston	2						
• 14	51440-NN0-701	PIPE, seat	2						
15	51447-KL4-951	RING, oil seal stopper	2						
16	51450-KE8-003	BOLT ASSY., front fork	2						
• 17	51500-NN0-701	FORK ASSY., L. front	1						
• 18	51520-NN0-003	CASE COMP., L. bottom	1						
19	52425-169-003	CAP, air valve	2						
20	90116-383-721	BOLT, socket, 8 mm	2						

Block No.

F-6

Fuel tank



Ref. No.	Part No.	Description	Reqd. No.	Remarks	Ref. No.	Part No.	Description	Reqd. No.	Remarks
• 1	16950-ND9-760	COCK ASSY., fuel	1		21	96001-06010-00	BOLT, flange, SH, 6 x 10	2	
2	16997-467-000	O-RING, 11.8 x 3.55	1		22	96001-06014-00	BOLT, flange, SH, 6 x 14	2	
• 3	17500-ND9-000	TANK COMP., fuel	1						
• 4	17508-ND9-000	HOOK, fuel tank	2						
5	17521-KR8-000	TUBE, fuel cap breather	1						
• 6	17620-F8F-000	CAP ASSY., fuel tank	1						
7	17624-GF8-003	PACKING, fuel cap	1						
8	17626-467-000	COLLAR, tank set	2						
9	32727-PE1-660	BAND, tube	1						
• 10	64255-NC2-000	FASTENER, cowling	2						
• 11	77110-NN0-306	SHELTER COMP.	1						
• 12	77200-NN0-000	SEAT, rubber	1						
13	83606-198-900	BAND, tool box	1						
14	87133-NN0-700	STRIPE, R. shelter	1						
15	87134-NN0-700	STRIPE, L. shelter	1						
• 16	90654-NC8-000	GROMET, fastener	2						
17	95001-55220-40	TUBE, fuel, 5.3 x 220	1						
18	95002-02100	CLIP, B 10, tube	2						
19	95002-50000	CLIP, C9, tube	1						
20	95012-13001	BAND, B2. battery	1						

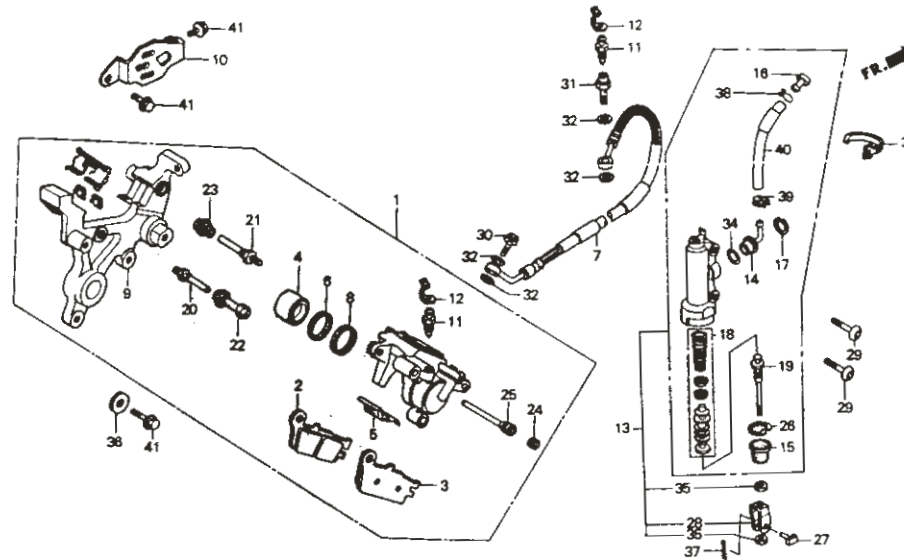
Block No.

F-7

Rear caliper • Rear master cylinder

MEMO

- Brake fluid: DOT 3 or DOT 4

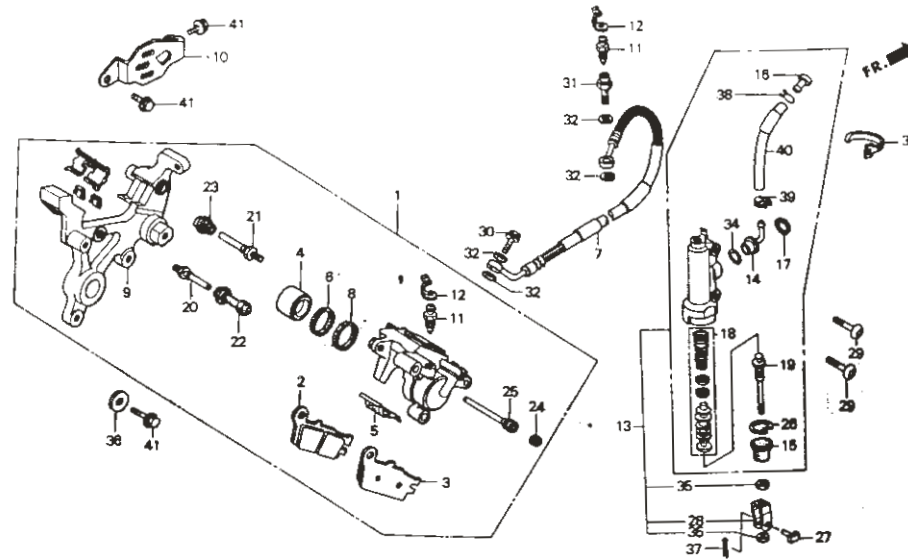


Ref. No.	Part No.	Description	Reqd. No.	Remarks	Ref. No.	Part No.	Description	Reqd. No.	Remarks
• 1	43100-NN0-701	CALIPER ASSY., rear	1		21	45131-166-016	PIN, bolt	1	
• 2	43105-NN0-701	PAD COMP. A	1		22	45132-166-016	BUSH, pin	1	
• 3	43106-NN0-701	PAD COMP. B	1		23	45133-MA3-006	BOOT, B	1	
• 4	43107-KW3-006	PISTON COMP	1		24	45203-MG3-006	PLUG, pin	1	
• 5	43108-KW3-006	SPRING, pad	1		25	45215-HA5-671	PIN, hanger	1	
• 6	43109-MA3-006	DUST-SEAL	1		26	46182-500-013	CIRCLIP, master cylinder	1	
• 7	43125-NN0-000	HOSE, rear brake	1		27	46503-KW3-000	PIN COMP., brake rod	1	
• 8	43209-MA3-006	SEAL, piston	1		• 28	46504-NN0-700	JOINT, brake rod	1	
• 9	43210-NN0-701	BRACKET COMP., rear caliper	1		29	90109-KS6-700	BOLT, rear master cylinder	2	
• 10	43230-NN0-700	GUARD, rear caliper	1		30	90145-KM3-750	OIL, bolt, 10 x 22	1	
11	43352-568-003	SCREW, bleeder	2		• 31	90145-NN0-000	BOLT, oil breeder	1	
12	43353-461-771	CAP, bleeder	2		32	90545-300-000	WASHER, oil bolt	4	
• 13	43500-NN0-700	CYLINDER ASSY., rear master	1		33	90650-KV3-000	BAND, wire	1	
14	43503-KS6-701	CONNECTOR	1		34	91212-422-006	O-RING, 14.8 x 2.4	1	
15	43504-MB2-006	BOOT COMP.	1		35	94002-08000-0S	NUT, hex., 8 mm	2	
• 16	43508-NN0-000	PLUG, tube	1		36	94103-06000	WASHER, plain, 6 mm	1	
17	43517-KS6-701	CIRCLIP, rear master cylinder	1		37	94201-20150	PIN, split 2.0 x 15	2	
18	43520-MJ6-305	PISTON-SET	1		38	95002-02100	CLIP, B 10, tube	1	
• 19	43530-HB9-006	ROD COMP., push	1		39	95002-41050-00	CLAMP, D10.5, tube	1	
20	45131-HA5-671	PIN, bolt, A.	1		• 40	95003-19024-40	V-TUBE, 7 x 11 x 240	1	

Block No.

F-7

Rear caliper • Rear master cylinder



Ref. No.	Part No.	Description	Reqd. No.	Remarks	Ref. No.	Part No.	Description	Reqd. No.	Remarks
41	96001-06012-00	BOLT, flange, SH, 6 x 12	3						

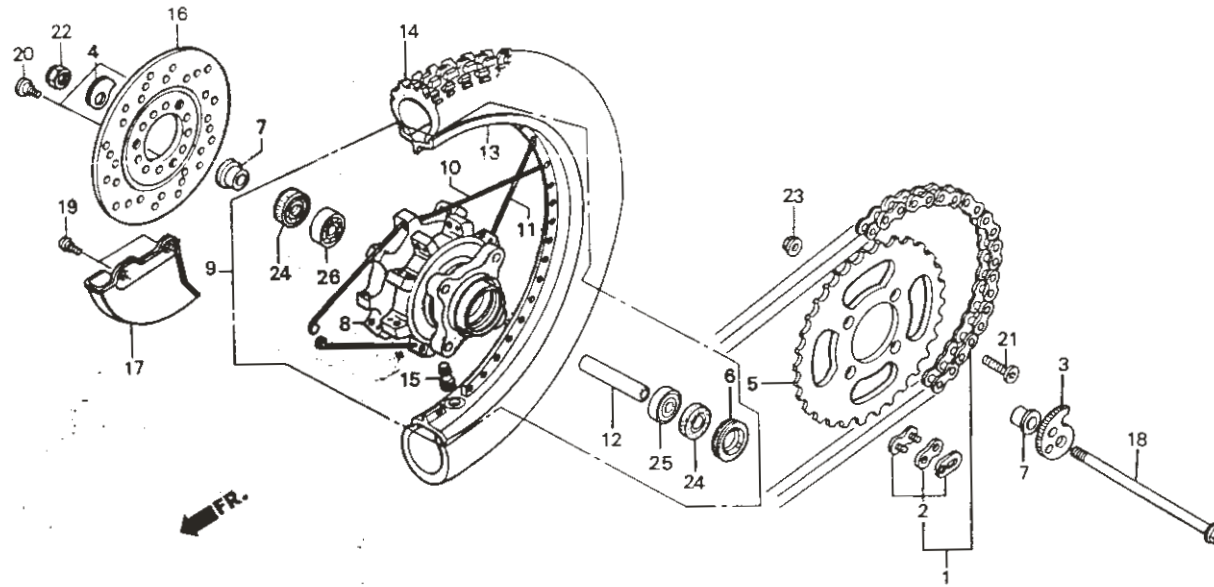
Block No.

F-8

Rear wheel

MEMO

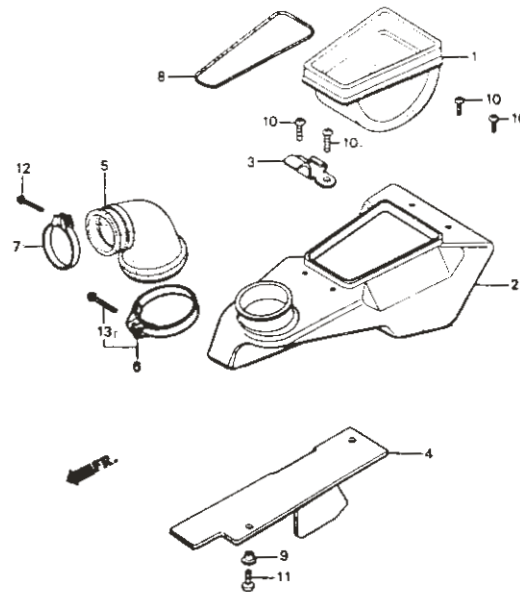
- Air pressure: 0.25 ~ 0.3 kg/cm²



Ref. No.	Part No.	Description	Reqd. No.	Remarks	Ref. No.	Part No.	Description	Reqd. No.	Remarks
• 1	40530-ND9-000	CHAIN, drive (520TR-94L)	1		16	43121-GT4-000	DISK, rear brake	1	
2	40531-KA4-732	JOINT, R.J. drive chain	1		• 17	43330-NN0-000	COVER, rear disk	1	
3	40544-KR8-750	ADJUSTER, chain	1		18	44301-KB4-000	AXLE, front wheel	1	
• 4	40544-NN0-700	ADJUSTER, chain	1		19	90101-KS6-700	SCREW, special, 6 x 10	2	
• 5	41200-ND9-761	SPROCKET, final driven 40T	(1)		20	90105-KS6-700	BOLT, disk, 6 x 17	3	
	41201-KR9-000	SPROCKET, final driven 39T	(1)						
•	41201-ND9-003	SPROCKET, final driven 41T	1		21	90125-KA4-000	SCREW, flat head socket cap	4	
•	41202-F8F-000	SPROCKET, final driven 38T	(1)		22	90305-197-003	U-NUT, rear axle	1	
•	41202-ND9-761	SPROCKET, final driven 42T	(1)		23	90309-KF0-003	NUT, flange, 8 mm	4	
6	41231-KE1-000	RETAINER, bearing	1		24	91252-KE1-005	OIL SEAL, 23 x 36 x 7	2	
• 7	42311-ND9-000	COLLAR, rear wheel side	2		25	96140-62020-10	BEARING, ball radial 6202U	1	
• 8	42601-NN0-000	HUB COMP., rear wheel	1		26	96140-63020-10	BEARING, ball radial 6302U	1	
• 9	42610-NN0-305	RIM ASSY., rear	1						
• 10	42613-NN0-305	SPOKE SET, A. rear	18						
• 11	42614-NN0-305	SPOKE SET, B. rear	18						
• 12	42620-NN0-000	COLLAR, rear axle distance	1						
• 13	42701-NN0-003	RIM, rear wheel (MT 2.15 x 18)	1						
• 14	42711-NN0-008	TIRE, rear (MICHELIN, 4,00 R18 RADIAL) TRIAL. COMPETITION X 1. TUBELESS.	1						
15	42753-ML7-004	VALVE, rim	1						

Block No.

F-9
Air cleaner

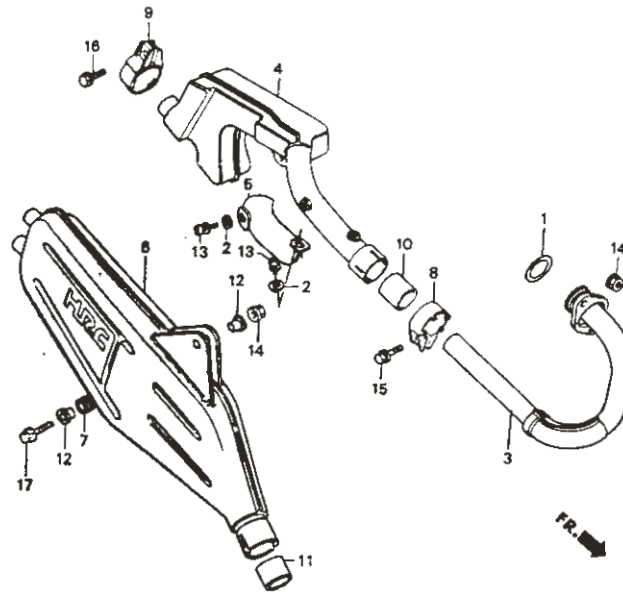


Ref. No.	Part No.	Description	Reqd. No.	Remarks	Ref. No.	Part No.	Description	Reqd. No.	Remarks
• 1	17211-ND9-000	ELEMENT, air cleaner	1						
• 2	17231-ND9-760	CASE, air cleaner	1						
• 3	17233-ND9-000	HANGER, front air cleaner	1						
• 4	17235-NN0-000	PLATE, heat guard	1						
• 5	17253-ND9-000	TUBE, air cleaner connecting	1						
6	17255-ME4-000	BAND, air cleaner connecting	1						
7	17255-166-000	17256-KG8-900							
	17256-KG8-900	BAND, air cleaner connecting	1						
8	61133-430-000	BAND, front number plate	1						
9	80121-GJ5-000	COLLAR, separator mount	2						
10	93500-05010-0A	SCREW, pan, 5 x 10	4						
11	93500-05012-0A	SCREW, pan, 5 x 12	2						
12	93500-05020-0G	SCREW, pan, 6 x 20	1						
13	93500-05025-0G	SCREW, pan, 5 x 25	1						

Block No.

F-10

Exhaust muffler

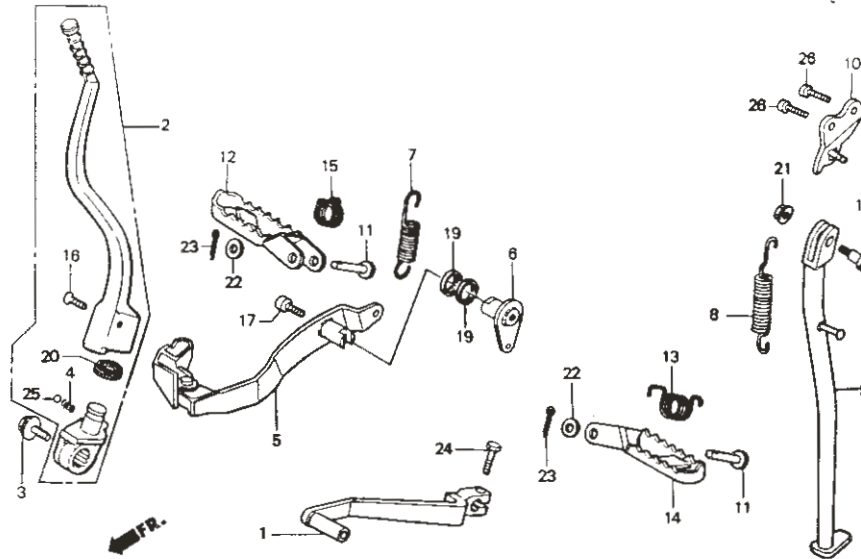


Ref. No.	Part No.	Description	Reqd. No.	Remarks	Ref. No.	Part No.	Description	Reqd. No.	Remarks
1	18291-MN9-000	GASKET, exhaust pipe	1						
2	18292-KS3-920	PACKING, muffler protector	2						
• 3	18310-NN0-701	PIPE, exhaust	1						
• 4	18320-NN0-000	PRE CHAMBER COMP.	1						
• 5	18321-NN0-000	PROTECTOR, pre chamber	1						
• 6	18330-ND9-830	MUFFLER COMP.	1						
7	18364-KA3-730	RUBBER, silencer mount	1						
8	18371-355-710	BAND, muffler	1						
9	18374-MB4-003	BAND, L. exhaust pipe	1						
10	18391-MB0-891	PACKING, muffler	1						
11	18391-ML8-000	PACKING, muffler	1						
12	90505-KR0-000	COLLAR, regulate rect. set.	2						
13	93891-05008-08	SCREW, washer, 5 x 8	2						
14	94050-06000	NUT, flange, 6 mm	3						
15	95701-08025-07	BOLT, flange, 8 x 25	1						
16	95701-08035-08	BOLT, flange, 8 x 35	1						
17	96001-06028-00	BOLT, flange, SH. 6 x 28	1						

Block No.

F-11

Pedal • Kick starter arm • Step

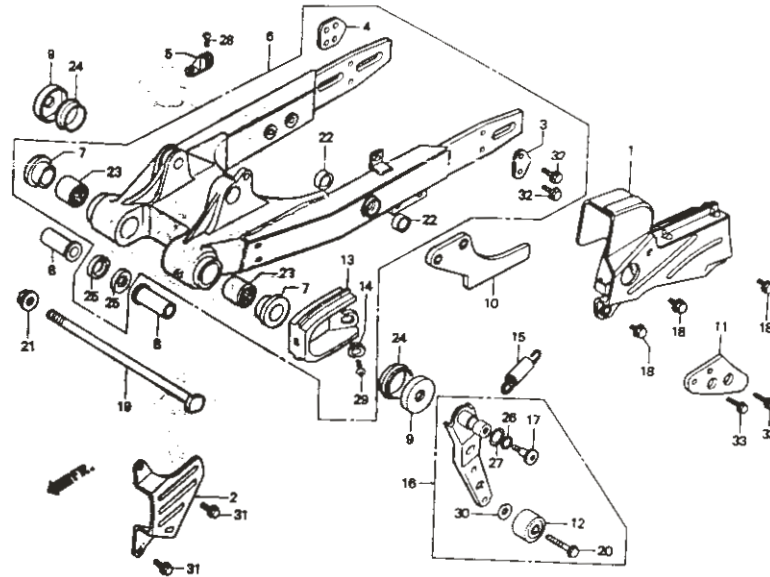


Ref. No.	Part No.	Description	Reqd. No.	Remarks	Ref. No.	Part No.	Description	Reqd. No.	Remarks
• 1	24700-NN0-700	PEDAL, gear change	1		91303-KA3-732	DUST-SEAL, 19 x 25	1		
• 2	28300-ND9-830	ARM ASSY., kick starter	1		21	94002-10000-0S	NUT, hex., 10 mm	1	
3	28306-KA3-830	BOLT, kick joint	1		22	94102-08000	WASHER, plain 8 mm	2	
4	28333-124-000	SPRING, kick starter stopper	1		23	94201-16150	PIN, split, 1.6 x 15	2	
• 5	46500-NN0-700	PEDAL COMP., rear brake	1		24	96001-06020-00	BOLT, flange, SH, 6 x 20	1	
• 6	46501-NN0-000	NUT, rear brake pedal	1		25	96211-08000	BALL, steel, 8	1	
7	46514-KM4-000	SPRING, brake pedal return	1		26	96700-08040-00	BOLT, socket, 8 x 40	2	
8	50522-MB0-000	SPRING, main stand	1						
• 9	50530-NN0-000	BAR COMP., side stand	1						
• 10	50536-NN0-000	BRACKET, side stand	1						
11	50603-033-000	PIN, step bar joint	2						
• 12	50616-NN0-000	STEP COMP., R.	1						
13	50617-329-000	SPRING, R. step return	1						
• 14	50642-NN0-000	STEP COMP., L.	1						
15	50644-329-000	SPRING L. step return	1						
16	90101-KA4-700	BOLT, kick arm	1						
17	90103-KT2-000	BOLT, socket 6 x 25	1						
18	90108-283-000	SCREW, side stand pivot	1						
19	91251-444-000	DUST-SEAL, 15 x 20 x 2.5	2						
20	91303-KA3-731	91303-KA3-732							

Block No.

F-12

Rear fork • Chain case



Ref. No.	Part No.	Description	Reqd. No.	Remarks	Ref. No.	Part No.	Description	Reqd. No.	Remarks
• 1	40510-NN0-000	CASE ASSY., chain	1		21	90301-430-000	NUT, rear fork pivot	1	
• 2	40520-NN0-000	COVER, drive sprocket	1		• 22	91052-NN0-000	BUSH, chain tensioner	2	
• 3	40540-ND9-760	STOPPER, chain adjust	2		23	91071-MA0-003	BEARING, rear fork pivot	2	
4	40540-NN0-700	STOPPER, chain adjust	1		24	91253-KA3-731	DUST SEAL, 32 x 36.8 x 8	2	
5	43468-KS6-700	GUIDE, rear brake hose	1		• 25	91260-ND9-000	SEAL, bearing, 20 x 26 x 4	2	
• 6	52100-NN0-700	FORK ASSY., rear	1		26	91352-526-000	O-RING, 9.8 x 2.4	1	
7	52109-KA4-701	BUSH, pivot thrust	2		27	91362-ZC3-000	O-RING, 13.8 x 2.4	1	
• 8	52141-ND9-760	COLLAR, rear fork	2		28	93500-05008-0A	SCREW, pan, 5 x 8	2	
9	52144-KA3-731	CAP, dust seal	2		29	93901-26010	SCREW, tapping, 6 x 10	1	
• 10	52156-ND9-000	GUIDE, chain	1		30	94102-08000	WASHER, plain, 8 mm	1	
• 11	52157-NN0-000	PROTECTOR, sprocket	1		31	96001-06012-00	BOLT, flange, SH, 6 x 12	2	
12	52158-KA3-831	ROLLER COMP., chain tensioner	1		32	96001-06016-00	BOLT, flange, SH, 6 x 16	4	
• 13	52170-NN0-000	SLIDER, chain	1		33	96001-06040-00	BOLT, flange, SH, 6 x 40	2	
14	52171-KA3-830	WASHER., chain slider	1						
• 15	52174-NN0-000	SPRING ASSY., chain tensioner	1						
• 16	52180-NN0-000	TENSIONER ASSY., chain	1						
17	90102-GM2-000	BOLT, change pedal set	1						
18	90113-GF0-000	BOLT, flange, 6 mm	3						
• 19	90121-NN0-000	BOLT, rear fork pivot	1						
20	90128-428-020	BOLT, fix driven sprocket	1						

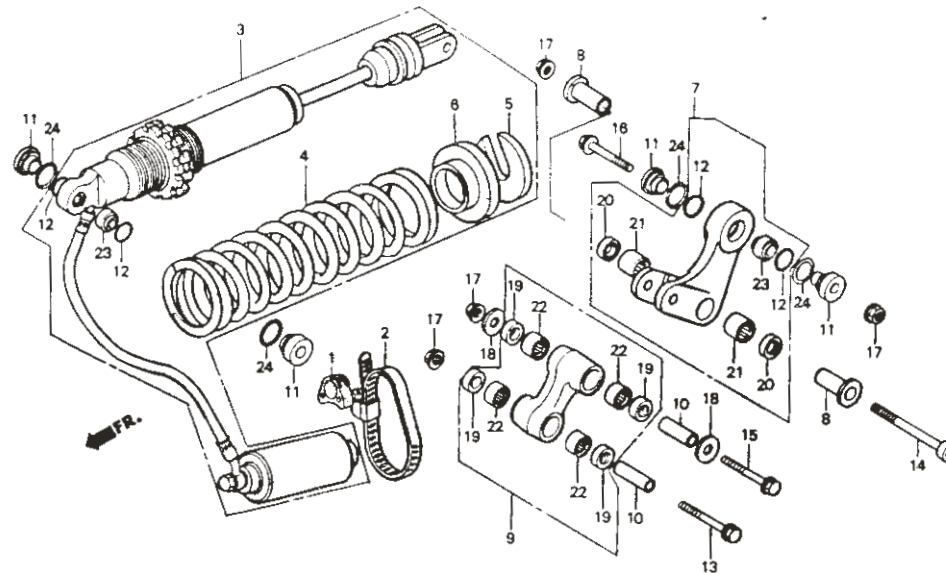
Block No.

F-13

Rear cushion

MEMO

- Spring installed length: 161.2 mm
- Rebound damping adjuster position : MAX-1 turn



Ref. No.	Part No.	Description	Reqd. No.	Remarks	Ref. No.	Part No.	Description	Reqd. No.	Remarks
1	50250-GC4-000	RUBBER, sub tank mount	1		•21	91070-ND9-000	BEARING, needle, 17 x 23 x 20	2	
2	50252-GC4-600	BAND, sub tank	1		•22	91071-ND9-000	BEARING, needle, 14 x 20 x 12	4	
• 3	52400-NN0-701	CUSHION ASSY., rear	1		23	91074-GC4-831	BEARING, spherical, 12	2	
• 4	52401-NN0-701	SPRING, rear cushion, 7.0	1		24	91351-KB7-003	SEAL B, dust	4	
5	52424-GC4-831	RING, stopper	4						
• 6	52459-ND9-003	SEAT, C. spring	1						
• 7	52460-NN0-000	ARM ASSY., cushion	1						
• 8	52463-NN0-000	COLLAR, cushion arm pivot	2						
• 9	52470-NN0-000	ROD ASSY., cushion connecting	1						
•10	52473-ND9-000	COLLAR, connecting rod	2						
•11	52486-ND9-000	COLLAR, cushion	4						
12	52487-GC4-830	RING, stopper	2						
13	90116-KE8-003	BOLT, flange, 10 x 55	1						
•14	90128-NN0-700	BOLT, flange, 10 x 87	1						
15	90151-MG3-000	BOLT, flange, 10 x 65	1						
16	90153-HA8-000	BOLT, flange, 10 x 47	1						
17	90304-GE8-003	NUT, axle	4						
18	90414-GE0-000	WASHER, 10 x 24	2						
•19	91051-ND9-000	SEAL, bearing, 14 x 20 x 3	4						
•20	91061-ND9-000	SEAL, bearing, 17 x 23 x 3	2						