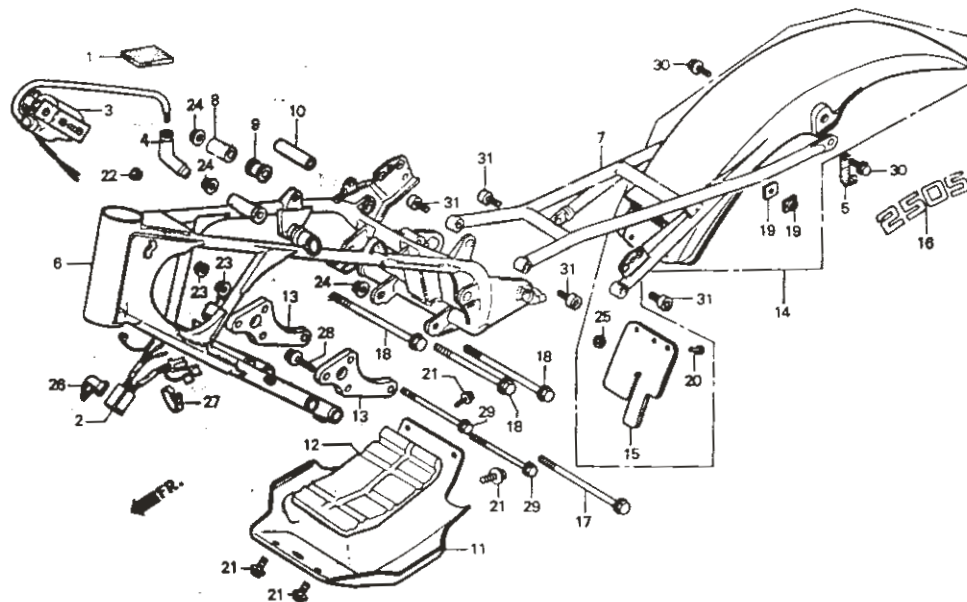


Block No.

F-14

Rear fender • Ignition coil •
C.D.I. unit • Frame body

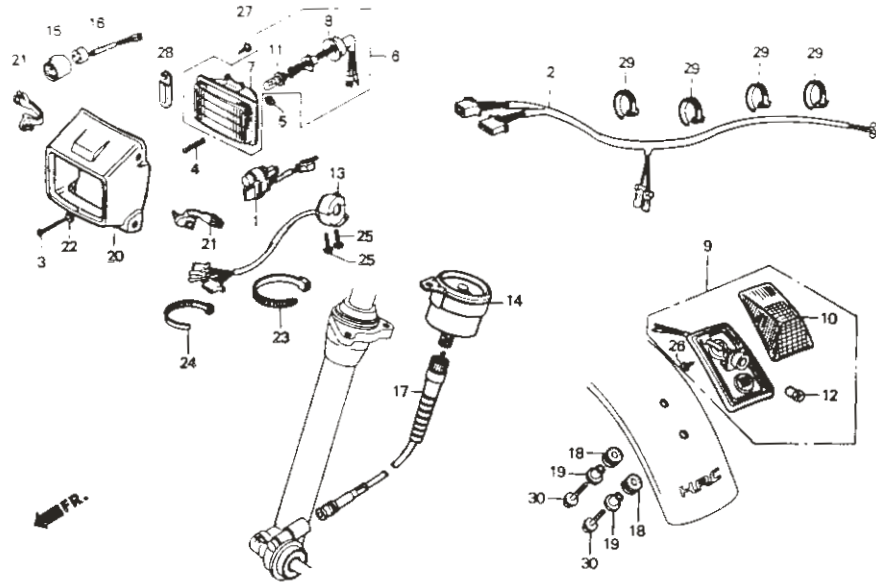


Ref. No.	Part No.	Description	Reqd. No.	Remarks	Ref. No.	Part No.	Description	Reqd. No.	Remarks
• 1	19602-ND4-750	RUBBER, catch tank	5		20	90751-196-000	RIVET, blind	3	
• 2	30410-ND9-760	UNIT COMP., C.D.I.	1		21	93405-10025-08	BOLT-WASHER, 10 x 25	4	
• 3	30500-ND9-761	COIL ASSY., ignition	1		22	94050-06000	NUT, flange, 6 mm	1	
• 4	30700-MA0-153	CAP ASSY., noise (suppressor)	1		23	94050-08000	NUT, flange, 8 mm	2	
• 5	32111-323-000	CLAMPER, cord	1	EUROPEAN SPEC.(2)	24	94050-10000	NUT, flange, 10 mm	2	
• 6	50100-NN0-700	BODY COMP., frame	1		25	94103-03000	WASHER, plain, 3 mm	3	
• 7	50200-NN0-000	BODY COMP., rear frame	1		26	95012-11001	BAND, A. battery	1	
• 8	50218-KE8-000	COLLAR, D. engine side	1		27	95014-62100	BAND, B1. wire	1	EUROPEAN SPEC.(4)
• 9	50253-ND9-000	COLLAR, L. up engine hang	1		28	95701-08025-00	BOLT, flange, 8 x 25	4	
• 10	50254-NN0-000	COLLAR, rear cushion distance	1		29	95701-08095-00	BOLT, flange, 8 x 95	2	
• 11	50351-NN0-000	PLATE, skid	1		30	96001-06012-00	BOLT, flange, SH, 6 x 12	2	
• 12	50352-NN0-000	RUBBER, engine cushion	1		31	96700-08016-07	BOLT, socket, 8 x 16	4	
• 13	50353-ND9-000	PLATE, front engine hanger	2						
• 14	80100-ND9-000	FENDER, rear (Fighting red)	1	JAPANESE SPEC.					
• 15	80100-NN0-710	FENDER, rear (Fighting red)	1	EUROPEAN SPEC.					
• 16	80102-ND9-310	GUARD, mud	1						
• 17	87126-NN0-700	MARK, rear fender	2						
• 18	90105-GJ1-000	BOLT, flange, 10 x 114	1						
• 19	90105-MG3-000	BOLT, flange, 10 x 110	3						
• 19	90301-471-000	NUT, air cleaner case	2						

Block No.

F-15

Speedometer • Headlight •
Horn • Taillight
EUROPEAN SPEC

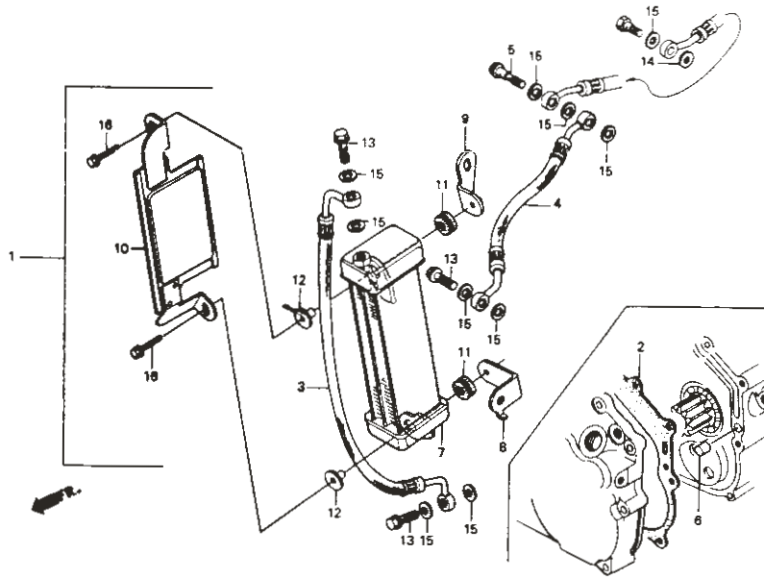


Ref. No.	Part No.	Description	Reqd. No.	Remarks	Ref. No.	Part No.	Description	Reqd. No.	Remarks
1	31600-KR9-008	RECTIFIER COMP., regulator	1		• 20	61301-ND9-630	CASE, headlight	1	
• 2	32100-ND9-600	HARNES, wire	1		21	61309-KK0-000	BAND, head light case	4	
3	33103-KF0-670	SCREW, beam adjust	1		22	90286-147-670	WASHER, beam adjust	1	
4	33107-246-003	SPRING, beam adjust	1		23	90650-KV6-003	BAND, wire	2	
5	33117-KA2-003	NUT, beam adjust	1		• 24	90651-NC8-000	TY-LAP, 3.6 x 281	1	
6	33120-KR9-003	UNIT, headlight	1		25	93500-05030-0G	SCREW, pan, 5 x 30	2	
7	33123-KR9-003	UNIT COMP., head light	1		26	93901-22210	SCREW, tapping, 3 x 10	4	
8	33130-KR9-003	SOCKET ASSY., head light	1		27	93901-34210	SCREW, tapping, 4 x 10	2	
9	33701-MG3-003	UNIT, taillight	1		28	94591-47000	CLIP, 4 x 70	1	
10	33704-KF0-003	LENS COMP., taillight	1		29	95014-61100	BAND, A1. wire	4	
11	34901-066-003	34901-706-000			30	96001-06022-00	BOLT, flange,SH, 6 x 22	2	
	34901-706-000	BULB, headlight (12V 25W/25W)	1						
12	34902-259-000	BULB, dash (12V 3.4W)	1						
• 13	35150-ND9-630	SWITCH ASSY., lighting	1						
• 14	37200-NN0-601	SPEEDOMETER, ASSY.	1						
15	38101-KR9-000	SUSPENSION, horn	1						
16	38110-KR9-000	HORN COMP.	1						
• 17	44830-NN0-000	CABLE ASSY., speedmeter	1						
18	61103-357-000	RUBBER, front fender mount	2						
19	61104-428-000	COLLAR, front fender	2						

Block No.

OP-1

Oil cooler



Ref. No.	Part No.	Description	Reqd. No.	Remarks	Ref. No.	Part No.	Description	Reqd. No.	Remarks
• 1	06150-NN0-700	OIL COOLER SET	1						
• 2	11393-NN0-000	GASKET, R. crankcase cover	1						
• 3	15510-NN0-700	PIPE COMP. A, oil	1						
• 4	15520-NN0-700	PIPE COMP. B, oil	1						
• 5	15550-NN0-700	BOLT COMP., oil control	1						
• 6	15560-NN0-700	PLUG, sealing, 8 mm	1						
• 7	15600-NN0-701	COOLER COMP., oil	1						
• 8	15601-NN0-700	STAY B, oil	1						
• 9	15602-NN0-700	STAY A, oil	1						
• 10	15610-NN0-700	GUARD COMP., oil cooler heat	1						
11	17512-MR7-000	RUBBER., fuel tank mount	2						
12	84706-KN9-830	COLLAR, tail light mount	2						
13	90044-MF2-710	BOLT, oil 10 mm	3						
14	90405-KM1-000	WASHER A, oil pipe joint seal	1						
15	90545-300-000	WASHER, oil bolt	10						
16	96001-06020-00	BOLT, flange, SH, 6 x 20	2						

'89-RTL250S PART NO. INDEX

Part No.	Block	Part No.	Block	Part No.	Block	Part No.	Block
06000		13111-KR9-000	E-10	15000		16011-302-004	E-14
		131A1-KR9-003	E-10			16012-NN0-000	E-14
06150-NN0-700	OP-1			15100-NN0-700	E- 6	16013-286-014	E-14
		14000		15116-107-020	E- 6	16014-ND9-000	E-14
11000				15126-107-020	E- 6	16015-ND9-000	E-14
		14101-ND9-000	E- 3	15131-NN0-700	E- 6	16016-035-004	E-14
11100-NN0-000	E- 9	14311-KJ2-300	E-10	15136-383-000	E- 6	16022-ND9-000	E-14
11191-NN0-000	E- 9	14321-440-000	E- 4	15331-399-000	E- 6	16100-NN0-013	E-14
11200-NN0-700	E- 9	14401-427-003	E- 4	15332-399-000	E- 6	16118-166-004	E-14
11330-NN0-000	E- 5	14431-383-000	E- 3	15421-107-000	E- 9	16129-268-004	E-14
11341-ND9-000	E- 8	14451-437-000	E- 3	15426-107-000	E- 9	16139-107-710	E-14
11393-NN0-000	E- 5	14456-383-000	E- 3	15430-NN0-700	E- 6	16168-ND9-000	E-14
	OP-1	14500-427-000	E- 3	15445-428-000	E- 6	16211-NN0-000	E- 1
		14510-383-000	E- 4	15447-149-000	E- 6	16950-ND9-760	F- 6
12000		14515-383-000	E- 4	15451-107-000	E- 7	16997-467-000	F- 6
		14520-969-010	E- 4	15510-NN0-700	OP-1		
12000-NN0-700	E- 1	14535-437-000	E- 4	15520-ND9-830	E- 5		
12100-KR9-000	E- 2	14550-427-000	E- 4	15520-NN0-700	OP-1	17000	
12191-ND9-010	E- 2	14564-VM3-000	E- 4	15534-NN0-700	E- 5		
12204-365-300	E- 1	14626-383-000	E- 4	15550-NN0-700	OP-1	17211-ND9-000	F- 9
12206-437-300	E- 1	14711-437-000	E- 4	15560-NN0-700	OP-1	17231-ND9-760	F- 9
12208-413-003	E- 3	14721-437-000	E- 3	15600-NN0-701	OP-1	17233-ND9-000	F- 9
12251-ND9-000	E- 1	14751-324-000	E- 3	15601-NN0-700	OP-1	17235-NN0-000	F- 9
12260-437-000	E- 1	14761-324-000	E- 3	15602-NN0-700	OP-1	17253-ND9-000	F- 9
12339-437-003	E- 1	14771-107-020	E- 3	15610-NN0-700	OP-1	17255-ME4-000	F- 9
12361-383-000	E- 1	14775-107-000	E- 3	15611-381-000	E- 5	17256-GR0-000	E- 1
		14776-107-010	E- 3	15761-437-000	E- 9	17256-KG8-900	F- 9
		14781-107-003	E- 3	15772-292-010	E- 9	17500-ND9-000	F- 6
13000						17508-ND9-000	F- 6
				16000		17512-MR7-000	OP-1
13000-ND9-830	E-10					17521-KR8-000	F- 6
13101-KR9-003	E-10			16010-107-710	E-14	17620-F8F-000	F- 6
						17624-GF8-003	F- 6

'89-RTL250S PART NO. INDEX

Part No.	Block	Part No.	Block	Part No.	Block	Part No.	Block
17626-467-000	F- 6	22815-KM7-700	E- 5	24221-446-650	E-13	30410-ND9-760	F-14
17910-ND9-000	F- 1	22838-ND9-760	E- 9	24231-KR9-000	E-13	30500-ND9-761	F-14
		22847-KR8-000	E- 7	24241-399-000	E-13	30700-MA0-153	F-14
		22870-ND9-830	F- 1	24301-446-650	E-13		
18000				24411-446-650	E-13		
				24430-437-000	E-13	31000	
				24435-437-000	E-13		
18291-MN9-000	F-10	23000		24610-NA0-010	E-13	31100-ND9-004	E- 8
18292-KS3-920	F-10			24621-446-650	E-13	31100-ND9-601	E- 8
18310-NN0-701	F-10	23121-NN0-700	E- 6	24631-107-000	E-13	31110-ND9-004	E- 8
18320-NN0-000	F-10	23211-NN0-000	E-11	24651-437-000	E-13	31120-ND9-004	E- 8
18321-NN0-000	F-10	23221-KR9-000	E-11	24700-NN0-700	F-11	31120-ND9-601	E- 8
18330-ND9-830	F-10	23420-NN0-000	E-11			31125-ND9-000	E- 8
18364-KA3-730	F-10	23431-KA2-000	E-11			31600-KR9-008	F-15
18371-355-710	F-10	23431-437-000	E-11	28000		31920-ND9-003	E- 1
18374-MB4-003	F-10	23431-439-000	E-11				
18391-MB0-891	F-10	23441-446-770	E-11				
18391-ML8-000	F-10	23451-KR9-000	E-11	28211-ND9-830	E-12		
		23461-KR9-000	E-11	28221-NN0-700	E-12	32000	
		23471-KR9-000	E-11	28251-NN0-700	E-12		
19000		23491-KR9-000	E-11	28253-KA2-000	E-12	32100-ND9-600	F-15
		23501-ND9-000	E-11	28254-437-000	E-12	32111-323-000	F-14
19602-ND4-750	F-14	23502-KA2-000	E-11	28261-437-000	E-12	32727-PE1-660	F- 6
		23511-ND9-000	E-11	28262-437-000	E-12		
		23512-ND9-000	E-11	28263-437-000	E-12		
22000		23513-ND9-000	E-11	28300-ND9-830	F-11	33000	
		23520-ND9-830	E-11	28306-KA3-830	F-11		
22100-ND9-830	E- 7	23531-437-310	E-11	28333-124-000	F-11	33103-KF0-670	F-15
22120-ND9-830	E- 7	23801-KR9-000	E-11			33107-246-003	F-15
22201-NN0-700	E- 7					33117-KA2-003	F-15
22311-ND9-830	E- 7			30000		33120-KR9-003	F-15
22350-KR8-010	E- 7	24000				33123-KR9-003	F-15
22401-166-000	E- 7			30300-ND9-000	E- 8	33130-KR9-003	F-15
22810-ND9-830	E- 5	24211-KR9-000	E-13	30370-KJ2-000	E- 1	33701-MG3-003	F-15

'89-RTL250S PART NO. INDEX

Part No.	Block	Part No.	Block	Part No.	Block	Part No.	Block
33704-KF0-003	F-15	40531-KA4-732	F- 8	43000		44312-KK1-700	F- 4
		40540-ND9-760	F-12			44601-F8F-740	F- 4
34000		40540-NN0-700	F-12	43100-NN0-701	F- 7	44610-F8F-740	F- 4
		40544-KR8-750	F- 8	43105-NN0-701	F- 7	44610-F8F-750	F- 4
34901-706-000	F-15	40544-NN0-700	F- 8	43106-NN0-701	F- 7	44614-NN0-305	F- 4
34902-259-000	F-15			43107-KW3-006	F- 7	44620-MG3-000	F- 4
		41000		43108-KW3-006	F- 7	44680-MA0-000	F- 4
				43109-MA3-006	F- 7	44701-NN0-000	F- 4
35000				43121-GT4-000	F- 8	44711-KR9-008	F- 4
		41200-ND9-761	F- 8	43125-NN0-000	F- 7	44712-KR9-008	F- 4
		41201-KR9-000	F- 8	43209-MA3-006	F- 7	44713-KR9-008	F- 4
35130-KR8-000	F- 1	41201-ND9-003	F- 8	43210-NN0-701	F- 7	44715-KR9-000	F- 4
35132-KR5-003	F- 1	41202-F8F-000	F- 8	43230-NN0-700	F- 7	44800-KF0-023	F- 4
35133-KJ2-003	F- 1	41202-ND9-761	F- 8	43330-NN0-000	F- 8	44830-NN0-000	F-15
35150-ND9-630	F-15	41231-KE1-000	F- 8	43352-568-003	F- 3		
					F- 7		
				43353-461-771	F- 3	45000	
37000		42000			F- 7		
				43468-KS6-700	F-12	45100-KR8-752	F- 3
37200-NN0-601	F-15	42311-ND9-000	F- 8	43500-NN0-700	F- 7	45103-MR7-006	F- 3
		42601-NN0-000	F- 8	43503-KS6-701	F- 7	45105-KR8-751	F- 3
		42610-NN0-305	F- 8	43504-MB2-006	F- 7	45106-KR8-751	F- 3
38000		42613-NN0-305	F- 8	43508-NN0-000	F- 7	45107-KR8-751	F- 3
		42614-NN0-305	F- 8	43517-KS6-701	F- 7	45108-KR8-752	F- 3
38101-KR9-000	F-15	42620-NN0-000	F- 8	43520-MJ6-305	F- 7	45109-961-006	F- 3
38110-KR9-000	F-15	42701-NN0-003	F- 8	43530-HB9-006	F- 7	45125-F8F-741	F- 3
		42711-NN0-008	F- 8			45125-F8F-751	F- 3
		42714-KA3-710	F- 4			45127-MG3-013	F- 3
40000		42753-ML7-004	F- 8	44000		45131-HA5-671	F- 7
						45131-166-016	F- 7
40510-NN0-000	F-12			44301-KB4-000	F- 8	45132-166-016	F- 7
40520-NN0-000	F-12			44301-NN0-000	F- 4	45133-MA3-006	F- 7
40530-ND9-000	F- 8			44311-MG3-000	F- 4	45156-KE8-000	F- 2

'89-RTL250S PART NO. INDEX

Part No.	Block	Part No.	Block	Part No.	Block	Part No.	Block
45203-MG3-006	F- 3	50200-NN0-000	F-14	51437-461-003	F- 5	53000	
	F- 7	50218-KE8-000	F-14	51440-NN0-701	F- 5		
45209-961-006	F- 3	50250-GC4-000	F-13	51447-KL4-951	F- 5	53100-ND9-830	F- 2
45215-HA5-671	F- 3	50252-GC4-600	F-13	51450-KE8-003	F- 5	53131-ND9-760	F- 2
	F- 7	50253-ND9-000	F-14	51500-NN0-701	F- 5	53141-376-000	F- 1
45351-F8F-740	F- 4	50254-NN0-000	F-14	51520-NN0-003	F- 5	53165-KB2-000	F- 1
45466-KA4-000	F- 2	50351-NN0-000	F-14			53166-KB2-000	F- 1
45466-329-000	F- 2	50352-NN0-000	F-14			53167-KA2-000	F- 1
45468-KB9-700	F- 2	50353-ND9-000	F-14	52000		53168-KA2-000	F- 1
45468-KE1-760	F- 2	50522-MB0-000	F-11			53169-KA2-000	F- 1
45500-NN0-006	F- 3	50530-NN0-000	F-11	52100-NN0-700	F-12	53172-429-770	F- 1
45504-KN5-006	F- 3	50536-NN0-000	F-11	52109-KA4-701	F-12	53173-376-000	F- 1
45513-KA3-732	F- 3	50603-033-000	F-11	52141-ND9-760	F-12	53174-KN5-006	F- 3
45517-166-006	F- 3	50616-NN0-000	F-11	52144-KA3-731	F-12	53174-463-770	F- 3
45518-KA3-731	F- 3	50617-329-000	F-11	52156-ND9-000	F-12	53175-KR8-750	F- 3
45520-KA3-731	F- 3	50642-NN0-000	F-11	52157-NN0-000	F-12	53175-NN0-000	F- 3
45523-KA3-731	F- 3	50644-329-000	F-11	52158-KA3-831	F-12	53177-430-000	F- 1
45530-KN5-305	F- 3			52170-NN0-000	F-12	53178-KF0-000	F- 1
				52171-KA3-830	F-12	53192-268-000	F- 1
		51000		52174-NN0-000	F-12	53200-NN0-000	F- 2
46000				52180-NN0-000	F-12	53214-430-003	F- 2
		51400-NN0-701	F- 5	52400-NN0-701	F-13	53220-MB2-000	F- 2
46182-500-013	F- 7	51401-NN0-701	F- 5	52401-NN0-701	F-13	53230-NN0-000	F- 2
46500-NN0-700	F-11	51402-KJ2-003	F- 5	52424-GC4-831	F-13		
46501-NN0-000	F-11	51402-NN0-701	F- 5	52425-169-003	F- 5		
46503-KW3-000	F- 7	51403-430-000	F- 5	52459-ND9-003	F-13	61000	
46504-NN0-700	F- 7	51410-NN0-701	F- 5	52460-NN0-000	F-13		
46514-KM4-000	F-11	51412-422-003	F- 5	52463-NN0-000	F-13	61100-KT2-0007R	F- 2
		51414-469-003	F- 5	52470-NN0-000	F-13	61103-357-000	F-15
		51415-KL4-951	F- 5	52473-ND9-000	F-13	61104-428-000	F-15
50000		51416-461-003	F- 5	52486-ND9-000	F-13	61130-ND9-000	F- 2
		51420-NN0-003	F- 5	52487-GC4-830	F-13	61133-430-000	F- 9
50100-NN0-700	F-14	51432-KE1-003	F- 5			61301-ND9-630	F-15

'89-RTL250S PART NO. INDEX

Part No	Block	Part No.	Block	Part No.	Block	Part No.	Block
61309-KK0-000	F-15	87000		90108-283-000	F-11	90430-PD1-000	E-5
				90109-KS6-700	F-7	90432-086-000	E-6
		87126-NN0-700	F-14	90111-KS6-000	F-3	90442-028-000	E-1
64000		87133-NN0-700	F-6	90113-GF0-000	F-12	90443-107-000	E-1
		87134-NN0-700	F-6	90113-429-770	F-1	90451-001-000	E-13
64255-NC2-000	F-6			90114-166-006	F-3	90451-107-000	E-11
		90000		90116-KE8-003	F-13	90451-365-000	E-11
				90116-383-721	F-5	90451-383-000	E-3
77000				90121-NN0-000	F-12	90452-437-000	E-11
		90004-KJ2-000	E-12	90125-KA4-000	F-8	90453-107-000	E-12
77110-NN0-306	F-6	90012-426-000	E-3	90128-NN0-700	F-13	90454-107-000	E-11
77200-NN0-000	F-6	90023-KR9-000	E-8	90128-428-020	F-12	90456-KA2-000	E-11
		90023-041-000	E-13	90131-ZE1-000	E-9	90459-107-000	E-12
		90031-427-010	E-9	90145-KM3-750	F-3	90459-360-000	E-7
80000		90032-427-010	E-9		F-7	90461-107-000	E-7
		90044-KM3-000	E-5	90145-NN0-000	F-7	90461-444-000	E-11
80100-ND9-000	F-14	90044-MF2-710	OP-1	90151-MG3-000	F-13	90463-437-000	E-11
80100-NN0-710	F-14	90081-427-000	E-1	90153-HA8-000	F-13	90464-360-000	E-11
80102-ND9-310	F-14	90082-383-000	E-4	90201-GC4-000	F-4	90465-360-000	E-11
80121-GJ5-000	F-9	90084-428-000	E-8	90206-250-000	E-3	90478-700-000	E-4
80152-958-680	F-2	90087-HB5-000	E-9	90231-200-010	E-7	90503-425-000	F-2
		90087-428-000	E-8	90286-147-670	F-15	90504-F8F-741	F-4
		90101-KA4-700	F-11	90301-430-000	F-12	90505-KR0-000	F-10
83000		90101-KS6-700	F-8	90301-471-000	F-14	90544-GF4-003	F-5
		90101-440-000	E-6	90304-GE8-003	F-13	90544-283-000	F-5
83606-19S-900	F-6	90102-GM2-000	F-12	90304-KA3-710	F-2	90545-300-000	E-5
		90102-KR8-751	F-3	90305-197-003	F-8		E-9
		90103-KR8-751	F-3	90309-KF0-003	F-8		F-3
84000		90103-KT2-000	F-11	90321-KF0-000	F-1		F-7
		90105-GJ1-000	F-14	90405-KM1-000	E-4		OP-1
84706-KN9-830	OP-1	90105-KS6-700	F-8		E-5	90601-437-000	E-11
		90105-MG3-000	F-14		OP-1	90605-200-000	E-11
		90105-F8F-740	F-4	90414-GE0-000	F-13	90650-KV3-000	F-7

'89-RTL250S PART NO. INDEX

Part No.	Block	Part No.	Block	Part No.	Block	Part No.	Block
90650-KV6-003	F-15	91206-286-013	E- 9	92101-06010-0A	E- 4	94000	
90651-MA5-671	F- 3	91212-KJ2-000	E- 8	92101-06020-0A	E- 4		
90651-NC8-000	F- 1	91212-422-006	F- 7	92101-06025-0A	E-13	94001-08000-0S	F- 4
	F-15	91251-444-000	F-11	92101-06060-0A	E- 9	94002-08000-0S	F- 7
90652-KT1-771	F- 2	91252-KE1-005	F- 8	92900-06018-0E	E- 1	94002-10000-0S	F-11
90654-NC8-000	F- 6	91253-KA3-731	F-12			94050-06000	F- 1
90701-HB6-000	E-10	91254-KA3-831	F- 4	93000			F- 3
90703-HC4-000	E- 2	91254-434-003	F- 5				F-10
	E- 9	91255-MA6-013	F- 5	93404-06020-08	E- 7		F-14
90751-196-000	F-14	91258-410-013	F- 4	93405-10025-08	F-14	94050-08000	F-14
90755-229-003	F- 4	91258-410-006	F- 4	93500-04006-1A	F- 5	94050-10000	F-14
		91260-ND9-000	F-12	93500-04010-0H	E- 8	94101-06000	E- 1
		91301-107-000	E- 1	93500-04020-0G	E- 1	94102-08000	F-11
91000		91301-200-000	E- 1	93500-04025-0H	E- 8		F-12
		91302-107-010	E- 8	93500-05008-0A	F-12	94103-03000	F-14
		91302-567-003	E- 8	93500-05010-0A	F- 9	94103-06000	F- 7
91001-147-003	E- 7		E- 9	93500-05012-0A	F- 9	94109-12000	E-12
91001-440-003	E-10	91303-KA3-732	F-11	93500-05016-0A	E- 8	94111-04800	E- 8
91001-446-771	E-10	91303-107-000	E- 1	93500-05016-0G	F- 1	94111-08000	F- 4
91005-965-681	E-11	91303-377-000	E- 8	93500-05020-0G	F- 1	94201-16150	F-11
91032-PC9-003	E-11	91303-800-000	E- 5		F- 9	94201-20150	F- 7
91051-ND9-000	F-13	91303-800-000	E- 6	93500-05025-0G	F- 9	94251-10000	E-13
91052-NN0-000	F-12	91304-107-000	E- 1	93500-05030-0G	F-15	94301-06100	E- 8
91053-ND9-000	F- 2	91306-HA0-003	E- 4	93600-04012-0G	F- 3	94301-08140	E- 1
91053-719-005	E- 5	91335-567-000	F-13	93600-04012-1A	E- 5		E- 5
91061-ND9-000	F-13	91351-KB7-003	F-12	93600-06018	E- 3	94301-10200	E- 2
91070-ND9-000	F-13	91352-526-000	F- 5	93700-05018-0A	F- 4	94510-12000	E-13
91071-MA0-003	F-12	91356-428-003	F-12	93891-05008-08	F-10	94510-14000	E-13
91071-ND9-000	F-13	91362-ZC3-000		93901-22210	F-15	94510-16000	E-12
91074-GC4-831	F-13			93901-26010	F-12	94510-20000	E-11
91201-896-701	E-11			93901-34210	F-15		E-12
91202-KK0-003	E- 5	92000				94591-47000	F-15
91202-KK0-005	E- 5					94601-15000	E-10
91204-KK0-003	E- 5	92101-05020-0H	E- 5				

'89-RTL250S PART NO. INDEX

Part No.	Block	Part No.	Block	Part No.	Block	Part No.	Block
95000		96001-06020-00	E- 1 F-11	99000			
95001-35280-40	E-14		OP-1	99114-246-1000	E-14		
95001-55220-40	F- 6	96001-06022-00	E- 5	99114-246-1020	E-14		
95002-02070	E-14		F-15	99114-246-1050	E-14		
95002-02100	F- 6	96001-06022-07	F- 3	99114-246-1080	E-14		
	F- 7	96001-06025-00	E- 8	99114-246-1100	E-14		
95002-41050-00	F- 7	96001-06028-00	F-10	99114-246-1120	E-14		
95002-50000	F- 6	96001-06035-00	E- 5	99114-246-1150	E-14		
95003-19024-40	F- 7		F- 1	99124-076-0350	E-14		
95012-11001	F-14	96001-06040-00	F-12	99124-076-0380	E-14		
95012-13001	F- 6	96001-06050-00	E- 9				
95014-61100	F-14	96001-06065-00	E- 5				
	F-15	96140-62020-10	F- 4				
95014-62100	F- 1		F- 8				
95701-08025-00	F-14	96140-62023-10	E-11				
95701-08025-07	F-10	96140-62040-00	E-11				
95701-08035-08	F-10	96140-63020-10	F- 8				
95701-08095-00	F-14	96211-08000	F-11				
95801-06010-08	E- 5	96220-40100	E-13				
95801-08025-00	F- 3	96400-08022-00	F- 3				
		96600-08025-10	F- 5				
		96600-08028-10	F- 2				
96000		96600-08032-10	F- 2				
		96600-08035-10	F- 2				
96001-06010-00	F- 6	96700-06022-00	E- 1				
96001-06012-00	F- 2	96700-08016-07	F-14				
	F- 7	96700-08040-00	F-11				
	F-12						
	F-14						
96001-06014-00	F- 6	98000					
96001-06016-00	F- 2						
	F-12	98069-56717	E- 1				