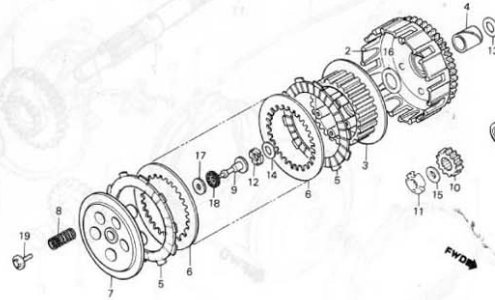


# Register to Remove Trial Watermark!!

Block No.

**E-3**

**Clutch**



Ref. No.	Part No.	Description	Reqd. No.	Remarks	Ref. No.	Part No.	Description	Reqd. No.	Remarks
1	13617-KR8-000	COLLAR, drive gear .....	1						
2	22100-KR8-000	OUTER COMP., clutch .....	1						
3	22120-KR8-010	CENTER COMP., clutch .....	1						
4	22131-KR8-000	GUIDE, clutch outer .....	1						
5	22201-KL3-670	DISK, clutch friction .....	5						
6	22321-KF0-000	PLATE, clutch .....	4						
7	22350-KR8-010	PLATE, press clutch .....	1						
8	22401-KA3-760	SPRING, clutch .....	5						
9	22847-KR8-000	PIN, clutch lifter .....	1						
10	23121-KR8-000	GEAR, primary drive .....	1						
11	90231-KE1-000	NUT, lock, 16 mm .....	1						
12	90231-GG2-000	NUT, lock, 14 mm .....	1						
13	90401-GC4-730	WASHER, plain, 17 mm .....	1						
14	90433-KE1-000	WASHER, 14 mm .....	1						
15	90434-KE1-000	WASHER, 16 mm .....	1						
16	90442-KE1-010	WASHER, 17 mm .....	1						
17	90459-360-000	WASHER, thrust, 12.5 mm .....	1						
18	91001-147-003	BEARING, needle., 12 mm .....	1						
19	93494-06020-08	BOLT-washer, 6 x 20 .....	5						

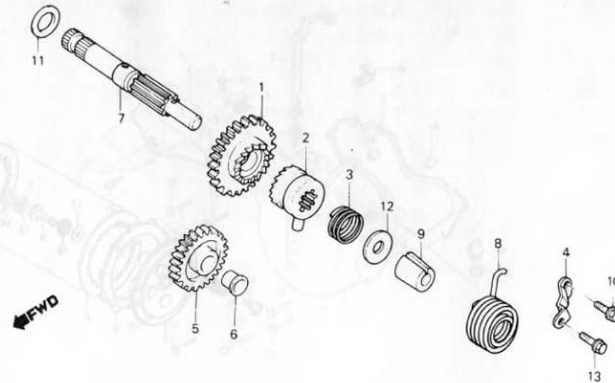
Register eDocPrinter PDF Pro Online Now!!

# Register to Remove Trial Watermark!!

Block No.

**E-4**

**Kick starter spindle**



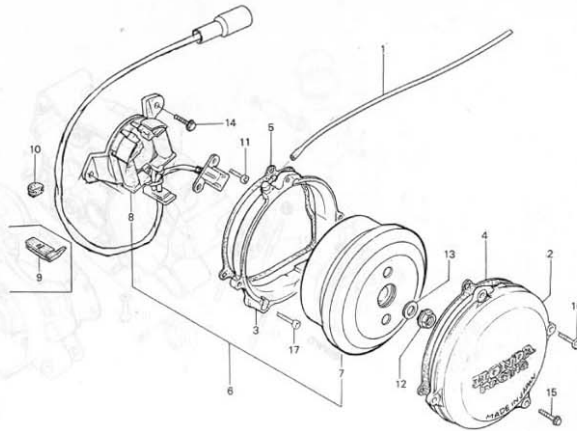
Ref. No.	Part No.	Description	Reqd. No.	Remarks	Ref. No.	Part No.	Description	Reqd. No.	Remarks
1	28211-KE1-000	PINION, kick starter .....	1						
2	28221-KE1-000	RATCHET, kick starter .....	1						
3	28223-KE1-000	SPRING, ratchet .....	1						
4	28225-KE1-000	PLATE, kick starter .....	1						
5	28231-KE1-000	GEAR, starter idle .....	1						
6	28232-KE1-000	BUSH, starter idle gear .....	1						
7	28251-KE1-000	SPINDLE, kick starter .....	1						
8	28281-KE1-000	SPG., kick return .....	1						
9	28282-KE1-000	COLLAR, kick spring .....	1						
10	90031-KE1-000	BOLT, knock, 6 mm .....	1						
11	90453-235-000	WASHER, thrust, 16 mm .....	1						
12	90459-360-000	WASHER, thrust, 12.5 mm .....	1						
13	95700-06016-00	BOLT, flange, 6 x 16 .....	1						

# Register to Remove Trial Watermark!!

Block No.

**E-5**

**L. crankcase cover**



Block No.

**E-6**

**Crankcase**

Ref. No.	Part No.	Description	Reqd. No.	Remarks	Ref. No.	Part No.	Description	Reqd. No.	Remarks
• 1	11206-F8F-000	TUBE, ACG., breather .....	1						
• 2	11340-F8F-600	COVER, L. crankcase .....	1						
• 3	11345-F8F-600	SUB COVER COMP., L. crankcase ..	1						
• 4	11395-F8F-010	GASKET, L. crankcase cover .....	1						
• 5	11396-F8F-000	GASKET, L. crankcase sub cover .....	1						
• 6	31100-F8F-600	AC. GEN., ASSY. (fly wheel) .....	1						
• 7	31100-F8F-700	AC. GEN., ASSY. (fly wheel) .....	1	EUROPEAN SPEC.					
• 8	31110-F8F-600	FLYWHEEL COMP. ....	1						
• 9	31120-F8F-003	STATOR COMP. ....	1						
• 10	31120-F8F-700	STATOR COMP. ....	1	EUROPEAN SPEC.					
• 9	32972-F8F-700	GROMMET, acg cord .....	1	EUROPEAN SPEC.					
• 10	32973-F8F-000	GROMMET, L. crank/case cover .....	1						
11	90089-HB3-000	BOLT, socket, 5 x 14 .....	2						
12	90201-KJ9-010	NUT, flange, 14 mm .....	1						
• 13	90432-F8F-000	WASHER, 14 mm .....	1						
14	96000-06016-07	BOLT, flange, SH. 6 x 16 .....	2						
15	96000-06025-07	BOLT, flange, SH. 6 x 25 .....	1						
16	96000-06028-07	BOLT, flange, SH. 6 x 28 .....	3						
17	96700-06025-07	BOLT, socket, 6 x 25 .....	3						

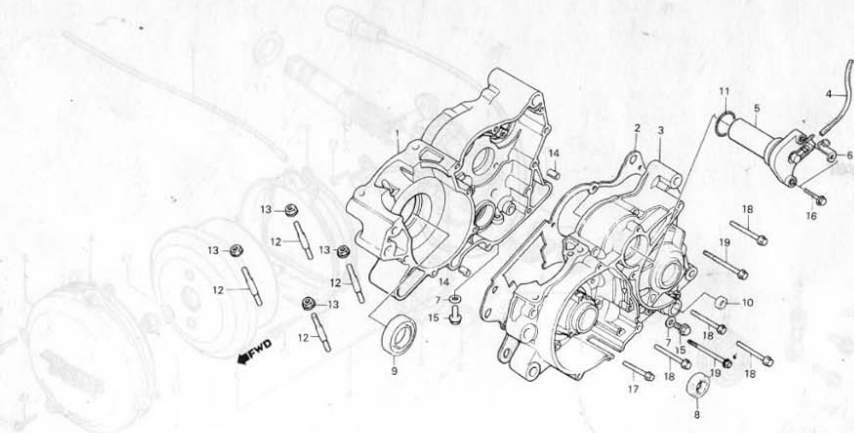
# Register eDocPrinter PDF Pro Online Now!!

# Register to Remove Trial Watermark!!

Block No.

**E-6**

**Crankcase**



Ref. No.	Part No.	Description	Reqd. No.	Remarks	Ref. No.	Part No.	Description	Reqd. No.	Remarks
1	11100-F8F-600	CRANKCASE COMP., right .....	1		19	96000-06070-07	BOLT, flange, SH. 6 x 70 .....	2	
2	11191-F8F-000	GASKET, crankcase .....	1						
3	11200-F8F-600	CRANKCASE COMP., left .....	1						
4	11206-KR8-000	TUBE, breather .....	1						
5	11220-KR8-000	CASE COMP., breather .....	1						
6	90011-GE0-710	CLAMP, breather .....	2						
7	90441-425-000	WASHER, sealing, 10 mm .....	2						
8	91205-KE1-003	OIL-SEAL, 24 x 36 x 8 .....	1						
	91205-KE1-004	OIL-SEAL, 24 x 36 x 7 .....	1						
9	91206-KE1-003	OIL-SEAL, 32 x 44 x 8 .....	1						
10	91209-612-000	OIL-SEAL, 12 x 22 x 7 .....	1						
11	91301-KE1-003	O-RING, 35.2 x 2.5 .....	1						
	91301-KE1-004	O-RING, 35.2 x 2.6 .....	1						
12	92900-08040-0B	BOLT, stud 2, 8 x 40 .....	4						
13	94050-08000	NUT, flange, 8 mm .....	4						
14	94301-08140	PIN, dowel, 8 x 14 .....	2						
15	95900-10016-08	BOLT, flange, 10 x 16 .....	2						
16	96000-06025-07	BOLT, flange, SH. 6 x 25 .....	2						
17	96000-06040-07	BOLT, flange, SH. 6 x 40 .....	3						
18	96000-06055-07	BOLT, flange, 6 x 55 .....	6						

# Register eDocPrinter PDF Pro Online Now!!

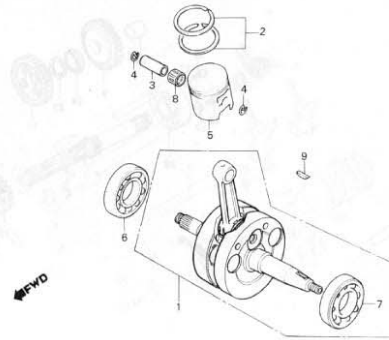


# Register to Remove Trial Watermark!!

Block No.

**E-7**

**Crankshaft • Piston**



Block No.

**E-8**

**Transmission**

Ref. No.	Part No.	Description	Reqd. No.	Remarks	Ref. No.	Part No.	Description	Reqd. No.	Remarks
• 1	13000-F8F-600	CRANKSHAFT COMP. ....	1						
• 2	13011-F8F-010	RING SET, piston (STD) .....	1						
•	13012-F8F-010	RING SET, piston (0S-0.25) .....	(1)						
•	13013-F8F-010	RING SET, piston (0S-0.50) .....	(1)						
3	13111-KJ1-000	PIN, piston .....	1						
4	13115-KM7-700	CLIP, piston pin 16 mm .....	2						
• 5	13120-F8F-010	PISTON (STD.) .....	1						
•	13102-F8F-010	PISTON (0S-0.25) .....	(1)						
•	13103-F8F-010	PISTON (0S-0.50) .....	(1)						
6	91002-466-008	BEARING, ball, radial, 63/22 .....	1						
7	91006-KJ1-003	BEARING, ball, radial, 62/28 (TMB).....	1						
8	91101-KJ1-000	BEARING, con-rod small end .....	1						
9	94401-25180	KEY, woodruff, 25 x 18 .....	1						

# Register eDocPrinter PDF Pro Online Now!!

**Register to Remove Trial Watermark!!**

**Register eDocPrinter PDF Pro Online Now!!**

**Register to Remove Trial Watermark!!**

**Register eDocPrinter PDF Pro Online Now!!**

**Register to Remove Trial Watermark!!**

**Register eDocPrinter PDF Pro Online Now!!**



**Register to Remove Trial Watermark!!**

**Register eDocPrinter PDF Pro Online Now!!**

**Register to Remove Trial Watermark!!**

**Register eDocPrinter PDF Pro Online Now!!**