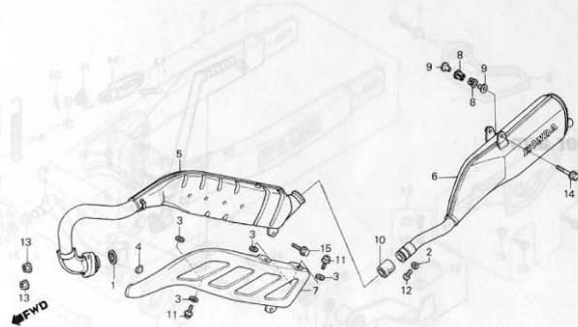


# Register to Remove Trial Watermark!!

Block No.

**F-11**

**Exhaust chamber**



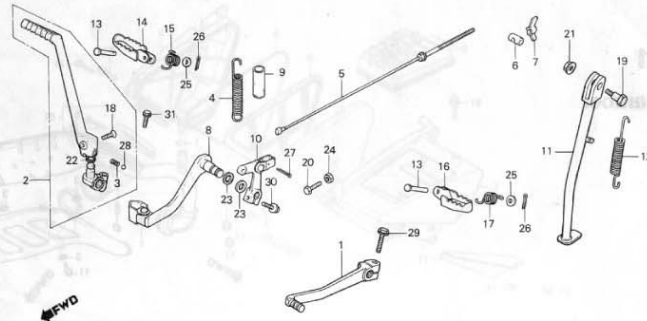
Ref. No.	Part No.	Description	Reqd. No.	Remarks	Ref. No.	Part No.	Description	Reqd. No.	Remarks
1	18291-KE1-010	GASKET, exhaust pipe .....	1		20	ARM ASSY, kick starter .....	1		
2	18292-329-000	PACKING, protector .....	1		21	ARM ASSY, kick starter .....	2		
3	18292-415-000	PACKING, protector .....	4		22	SPC, kick starter arm .....	3		
4	18293-147-000	RUBBER, paking protector .....	1		23	SPC, paking protector .....	4		
5	18300-KR8-000	CHBR. COMP., exhaust .....	1		24	CABLE, rear brake .....	3		
6	18310-F8F-000	SILENCER COMP., exhaust .....	1		25	JOINT, brake arm .....	6		
7	18325-F8F-000	PROTECTOR, exhaust chamber .....	2		26	NUT, brake adjuster .....	7		
8	18334-KA4-000	RUBBER, silencer .....	2		27	PEDAL COMP., rear brake .....	8		
9	18357-KA4-710	COLLAR, silencer .....	2		28	TUBE, brake pedal/parking .....	9		
10	18392-KR8-000	PACKING, exhaust muffler .....	1		29	ARM COMP., middle .....	10		
11	90136-415-740	SCREW, washer 6 x 10 .....	2		30	BAR, side stand .....	11		
12	93904-25080	SCREW, tapping, 5 x 8 .....	1		31	SPC, side stand .....	12		
13	94050-08000	NUT, flange, 8 mm .....	2		32	PIN, stop bar joint .....	2		
14	96300-06035-00	BOLT, flange, DR 6 x 35 .....	1		33	STEP COMP., R .....	1		
15	96400-08014-00	BOLT, flange, DR 8 x 14 .....	1		34	STEP COMP., L .....	1		

# Register to Remove Trial Watermark!!

Block No.

## F-12

Pedal - Kick starter arm -  
Step



Ref. No.	Part No.	Description	Reqd. No.	Remarks	Ref. No.	Part No.	Description	Reqd. No.	Remarks
• 1	24700-F8F-600	PEDAL, gear change .....	1		21	90304-GE8-003	NUT U, 10 mm .....	1	
2	28300-KR8-010	ARM ASSY., kick strainer .....	1		22	91201-434-003	OIL SEAL, 14 x 20 x 3.2 .....	1	
3	28333-KK0-000	SPG., kick starter arm set .....	1			91201-434-005	OIL SEAL, 14 x 20 x 3.2 .....	1	
4	43411-KR8-000	SPG., brake pedal return .....	1		23	91251-444-000	DUST SEAL, 15 x 20 x 2.5 .....	1	
5	43451-KR8-000	CABLE, rear brake .....	1		24	94002-06000-0S	NUT, hex 6 mm .....	1	
					25	94102-08000	WASHER, plain 8 mm .....	2	
6	43454-KA4-700	JOINT, brake arm .....	1		26	94201-16150	PIN, split, 1.6 x 15 .....	2	
7	43459-434-000	NUT, brake adjust .....	1		27	94201-20180	PIN, split, 2 .....	1	
8	46500-KR8-000	PEDAL COMP., rear brake .....	1		28	96211-08000	BALL, steel 8 .....	1	
9	46515-KL4-000	TUBE, brake pedal spring .....	1		29	96300-06022-00	BOLT, flange DR 6 x 22 .....	1	
10	46520-KR8-000	ARM COMP., middle .....	1		30	96300-06025-00	BOLT, flange DR, 6 x 25 .....	1	
• 11	50530-F8F-600	BAR, side stand .....	1						
• 12	50535-F8F-000	SPG., side stand .....	1		31	96300-08025-00	BOLT, flange DR, 8 x 25 .....	1	
13	50603-033-000	PIN, step bar joint .....	2						
14	50616-GM2-000	STEP COMP., R. .....	1						
15	50617-329-000	SPG., R. step return .....	1						
16	50642-GM2-000	STEP COMP., L. .....	1						
17	50644-329-000	SPG., L. step return .....	1						
18	90105-KR1-760	BOLT, special 6 x 25 .....	1						
19	90108-KG0-000	SCREW, side stand pivot .....	1						
20	90151-KR8-000	BOLT, hex 6 x 25 .....	1						

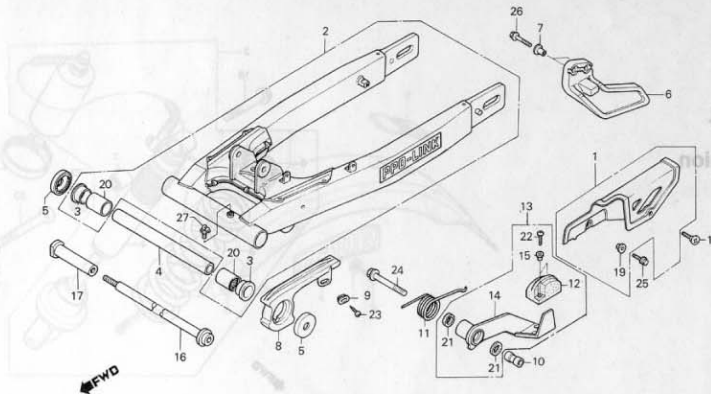
Register eDocPrinter PDF Pro Online Now!!

# Register to Remove Trial Watermark!!

Block No.

**F-13**

**Rear fork • Chain case**



Ref. No.	Part No.	Description	Reqd. No.	Remarks	Ref. No.	Part No.	Description	Reqd. No.	Remarks
1	40510-KR8-000	CASE, drive chain	1		20	91071-MA0-003	BEARING, (RR. fork) pivot	1	
2	52100-F8F-600	FORK ASSY., rear	1		91071-MA0-004	BEARING, (RR. fork) pivot	1		
3	52109-430-300	BUSH, pivot thrust	2		21	91208-611-005	DUST SEAL, 14 x 20 x 4	1	
4	52141-F8F-000	COLLAR, rear fork	1		22	93500-05010-0A	SCREW, pan, 5 x 10	1	
5	52144-KR8-003	CAP, dust seal	2		23	93901-26010	SCREW, tapping, 6 x 10	1	
	52144-KR8-005	CAP, dust seal	2		24	95801-08045-08	BOLT, flange, 8 x 45	1	
6	52156-KR8-000	GUARD, drive chain	1		25	96001-06010-00	BOLT, flange, SH. 6 x 10	1	
7	52157-GC5-000	COLLAR, guard chain	2		26	96001-06022-00	BOLT, flange, SH. 6 x 22	1	
8	52170-KR8-005	SLIDER, chain	1		27	96201-80000	NIPPLE, grease B. T6S	1	
9	52171-KA3-830	WASHER, chain slider	1						
10	52171-434-020	COLLAR, chain tensioner	1						
11	52174-F8F-600	SPRING, chain tensioner	1						
12	52178-KR9-005	SLIPPER, tensioner	1						
13	52180-F8F-000	TENSIONER ASSY., chain	1						
14	52181-F8F-000	TENSIONER COMP., chain	1						
15	61304-292-000	COLLAR, head light setting	2						
16	90121-KR8-000	BOLT, A rear fork pivot	1						
17	90122-KR8-000	BOLT, B rear fork pivot	1						
18	90381-MB2-000	SCREW, special 6 x 11	1						
19	90522-028-000	WASHER, setting, chain case	1						

Register eDocPrinter PDF Pro Online Now!!

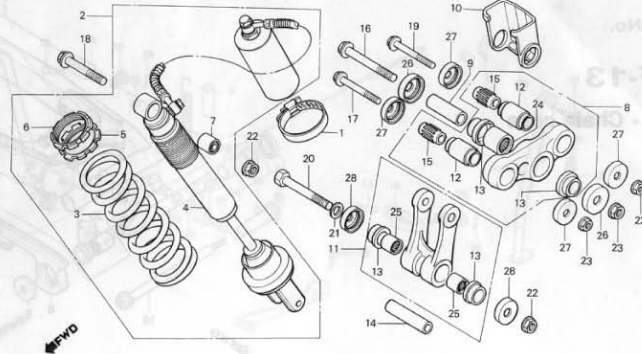
# Register to Remove Trial Watermark!!

Block No.

**F-14**

**Rear cushion**

Pedal  
Step



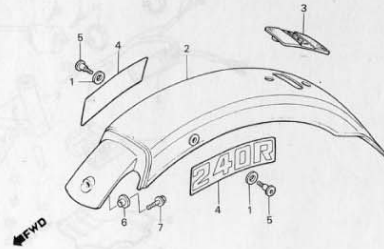
Ref. No.	Part No.	Description	Reqd. No.	Remarks	Ref. No.	Part No.	Description	Reqd. No.	Remarks
1	50252-GC4-600	BAND, sub tank	1		21	90183-KR8-000	WASHER, special, 10 mm	1	
2	52400-F8F-601	CUSHION ASSY., rear	1		22	90304-GE8-003	NUT U, 10 mm	4	
3	52401-F8F-601	SPRING, rear cushion	1		23	90306-KF0-003	NUT, flange, 12 mm	1	
4	52410-F8F-003	DAMPER COMP., rear	1		24	91079-KA3-831	BRG. needle, 17.5 x 24.5 x 22	1	
5	52422-KF0-003	ADJUSTER, spring	1		25	91079-KN5-003	BEARING, cushion conn-rod	2	
6	52423-KF0-003	NUT, adjuster	1		26	91262-F8F-003	SEAL, cushion conn-rod	2	
7	52451-MA0-000	BUSH, damper	1		27	91262-GC4-731	SEAL, cushion arm (pivot)	4	
8	52460-F8F-000	ARM ASSY., cushion	1		27	91262-GC4-732	SEAL, cushion arm (pivot)	4	
9	52463-F8F-000	COLLAR, A cushion arm pivot	1		28	91262-KA3-831	SEAL, cushion conn-rod pivot	2	
10	52465-KR8-000	MUD GUARD, link	1						
11	52470-F8F-000	CONN-ROD ASSY., cushion	1						
12	52472-F8F-000	OUT. RACE, cushion arm bearing	2						
13	52472-KA3-831	BUSH, cushion conn-rod thrust	4						
14	52476-F8F-000	COLLAR, conn-rod pivot	1						
15	52477-F8F-000	COLLAR ASSY., cushion arm	1						
16	90128-KR8-000	BOLT, flange, 12 x 78	1						
17	90151-GC4-731	BOLT, flange, 10 x 67	1						
18	90151-MG3-000	BOLT, flange, 10 x 65	1						
19	90153-KK0-000	BOLT, flange, 10 x 58	1						
20	90182-KR8-000	BOLT, hex 10 x 90	1						

Register eDocPrinter PDF Pro Online Now!!

# Register to Remove Trial Watermark!!

Block No.

**F-15**  
Rear fender



Ref. No.	Part No.	Description	Reqd. No.	Remarks	Ref. No.	Part No.	Description	Reqd. No.	Remarks
1	41265-GG0-003	WASHER B .....	2						
2	80100-F8F-000Z	FENDER, rear .....	1						
3	80105-F8F-000	CAP, rear fender hole .....	1	JAPANESE SPEC.					
4	87126-F8F-600	MARK, rear fender .....	2						
5	90102-GM2-000	BOLT, change pedal set .....	2						
6	90127-KF0-770	COLLAR, 6 x 4 .....	1						
7	96300-06012-00	BOLT, flange, DR. 6 x 12 .....	1						

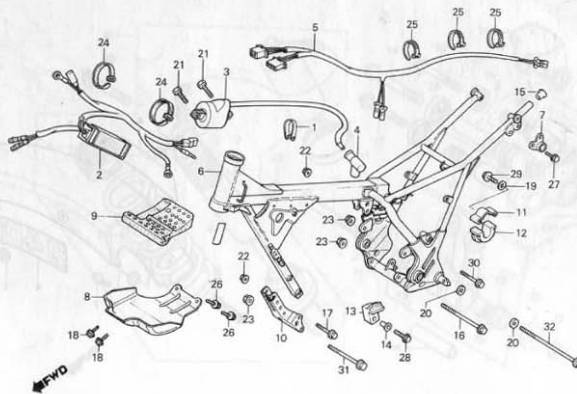
Register eDocPrinter PDF Pro Online Now!!

# Register to Remove Trial Watermark!!

Block No.

## F-16

Ignition coil •  
C.D.I. unit • Frame body



Ref. No.	Part No.	Description	Reqd. No.	Remarks	Ref. No.	Part No.	Description	Reqd. No.	Remarks
1	17918-KJ2-000	CLIP, throttle cable .....	1		21	96001-06020-00	BOLT, flange SH 6 x 20 .....	2	
2	30410-F8F-000	UNIT COMP., CDI .....	1		22	94050-08000	NUT, flange, 8 mm .....	3	
3	30500-F8F-005	COIL ASSY., IGN. ....	1		23	94050-10000	NUT, flange, 10 mm .....	4	
4	30700-KE1-153	CAP ASSY., noise suppressor .....	1		24	95014-61300	BAND A3, wire .....	2	
5	32100-F8F-700	WIRE, harness .....	1	EUROPEAN SPEC.	25	95014-62100	BAND B1, wire .....	3	EUROPEAN SPEC.
6	50100-F8F-600	FRAME BODY COMP. ....	1		26	95700-08020-08	BOLT, flange 8 x 20 .....	2	
7	50341-KR8-000	STAY B, silencer .....	1		27	96001-06012-00	BOLT, flange, SH. 6 x 12 .....	2	
8	50351-F8F-600	PLATE, skid .....	1		28	96400-06025-08	BOLT, flange, DR 6 x 25 .....	1	
9	50352-KR8-000	RUBBER, engine cushion .....	1		29	96400-08014-08	BOLT, flange, DR 8 x 14 .....	1	
10	50353-F8F-600	PLATE, front engine hanger .....	1		30	96400-08045-00	BOLT, flange, DR 8 x 45 .....	1	
11	52176-KR8-000	CLIP, slipper .....	1		31	96400-10090-00	BOLT, flange, DR 10 x 90 .....	2	
12	52177-KR8-000	SLIPPER, B chain .....	1		32	96400-10160-00	BOLT, flange, DR 10 x 160 .....	1	
13	52179-KR8-003	SLIPPER, A chain .....	1						
14	80110-KK4-000	COLLAR, rear fender set .....	1						
15	81212-GF4-000	CAP, rear carrier .....	1						
16	90119-KM9-000	BOLT, flange, 10 x 127 .....	1						
17	90218-KJ2-000	BOLT, flange, 8 x 57 .....	2						
18	93405-10025-08	BOLT, washer 10 x 25 .....	2						
19	90526-GB0-930	WASHER, 8.5 x 20 .....	1						
20	90742-KR8-000	COLLAR, engine hanger .....	2						

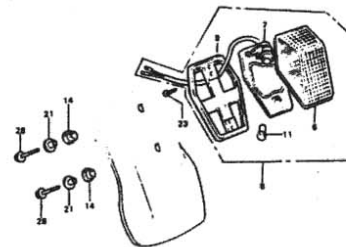
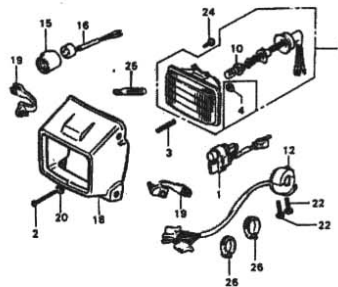
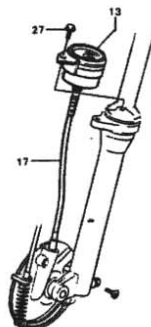
Register eDocPrinter PDF Pro Online Now!!

# Register to Remove Trial Watermark!!

Block No.

## F-17

Speedometer • Headlight •  
Horn • Taillight



Ref. No.	Part No.	Description	Reqd. No.	Remarks	Ref. No.	Part No.	Description	Reqd. No.	Remarks
1	31600-KR9-008	RECTIFIER COMP., regulator .....	1	EUROPEAN SPEC.	21	90501-425-000	COLLAR, 6.2 x 12 .....	2	EUROPEAN SPEC.
2	33103-KF0-670	SCREW, beam adjust .....	1	EUROPEAN SPEC.	22	93500-05030-0A	SCREW, pan 5 x 30 .....	1	EUROPEAN SPEC.
3	33107-246-003	SPRING, beam adjust .....	1	EUROPEAN SPEC.	23	93901-22310	SCREW, tapping 3 x 12 .....	2	EUROPEAN SPEC.
4	33117-KA2-003	NUT, beam adjust .....	1	EUROPEAN SPEC.	24	93901-34210	SCREW, tapping 4 x 10 .....	2	EUROPEAN SPEC.
5	33120-KR9-003	UNIT, head light .....	1	EUROPEAN SPEC.	25	94591-47000	CLIP, 4 x 70 .....	1	EUROPEAN SPEC.
6	33141-MA0-003	LENS, tail light .....	1	EUROPEAN SPEC.	26	95014-62100	BAND B1., wire .....	2	EUROPEAN SPEC.
7	33142-MA0-003	BASE COMP., tail light .....	1	EUROPEAN SPEC.	27	96001-06016-00	BOLT, flange SH 6 x 16 .....	1	EUROPEAN SPEC.
8	33701-F8F-700	UNIT, tail light .....	1	EUROPEAN SPEC.	28	96001-06020-00	BOLT, flange, SH. 6 x 20 .....	2	EUROPEAN SPEC.
9	33702-MA0-003	BODY, tail light .....	1	EUROPEAN SPEC.					
10	34901-066-003	BULB, head light .....	1	EUROPEAN SPEC.					
11	34902-259-000	DASH BULB .....	1	EUROPEAN SPEC.					
12	35150-KR9-003	SWITCH ASSY., lighting .....	1	EUROPEAN SPEC.					
13	37200-KR9-008	SPEED METER ASSY. ....	1	EUROPEAN SPEC.					
14	37242-471-000	RUBBER, meter mount .....	2	EUROPEAN SPEC.					
15	38101-KR9-000	SUSPENSION, horn .....	1	EUROPEAN SPEC.					
16	38110-KR9-000	HORN COMP. ....	1	EUROPEAN SPEC.					
17	44830-KR9-000	CABLE ASSY., speedometer .....	1	EUROPEAN SPEC.					
18	61301-KR9-000	CASE, head light .....	1	EUROPEAN SPEC.					
19	61309-KJ2-010	BAND, holder case .....	4	EUROPEAN SPEC.					
20	90286-147-670	WASHER, beam adjust .....	1	EUROPEAN SPEC.					

Register eDocPrinter PDF Pro Online Now!!

**Register to Remove Trial Watermark!!**



**Register eDocPrinter PDF Pro Online Now!!**